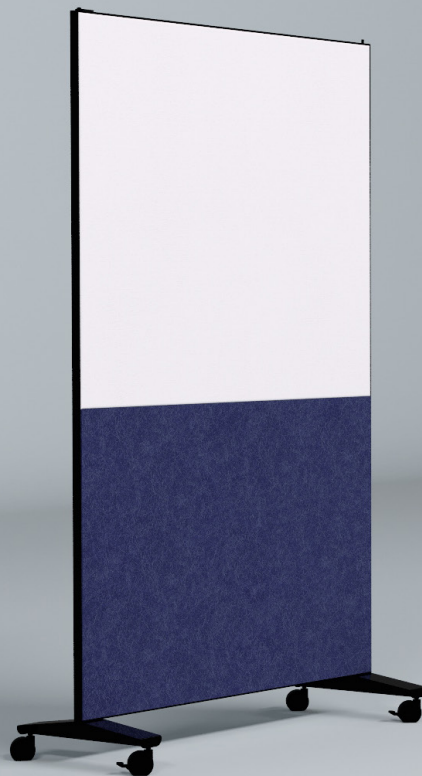


datasheet

# GRAFO

Mobile Whiteboard



# GRAFO

## Mobile Whiteboard

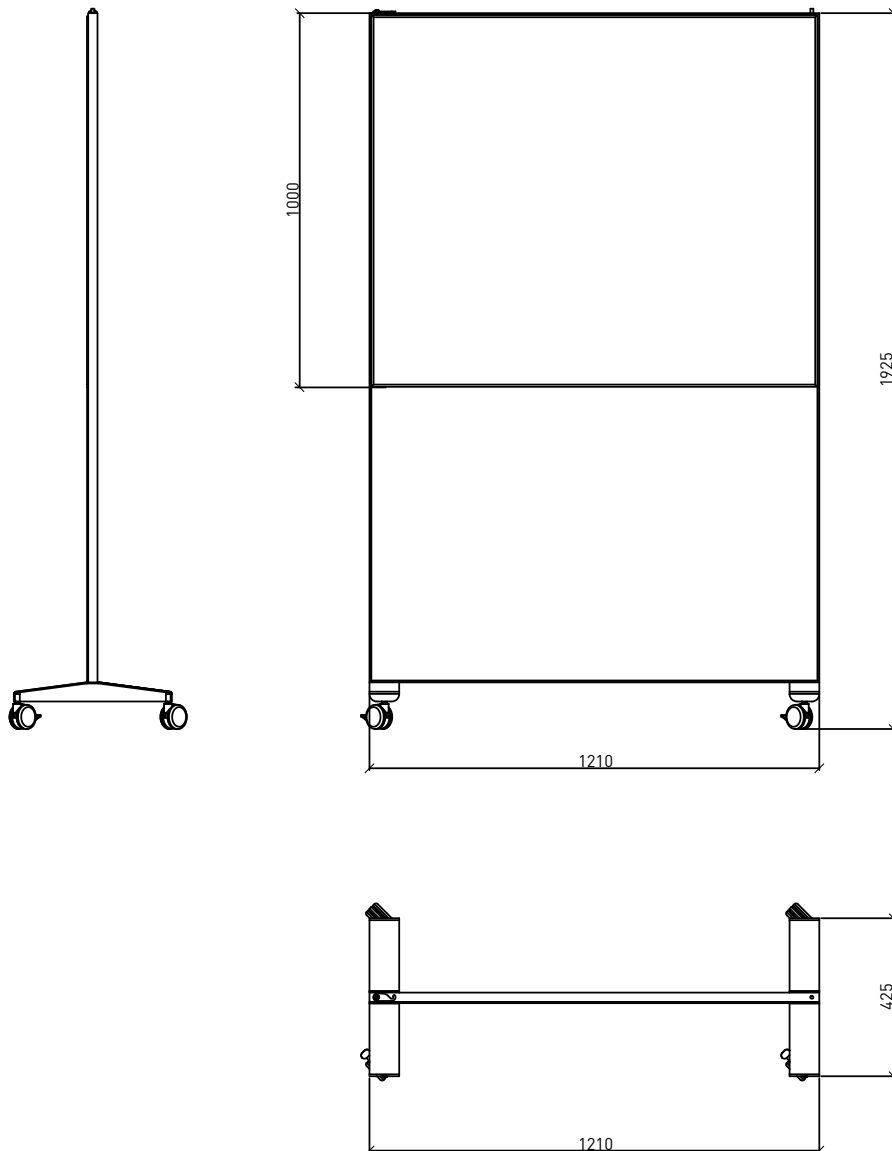
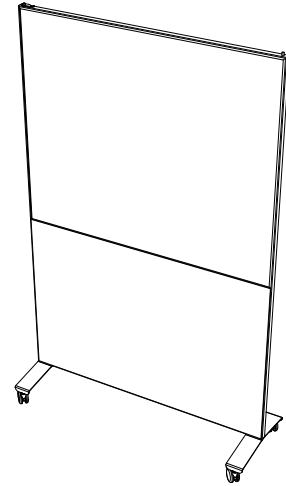
The simple, timeless design works almost anywhere. The whiteboards are easy to connect.

### Dimensions

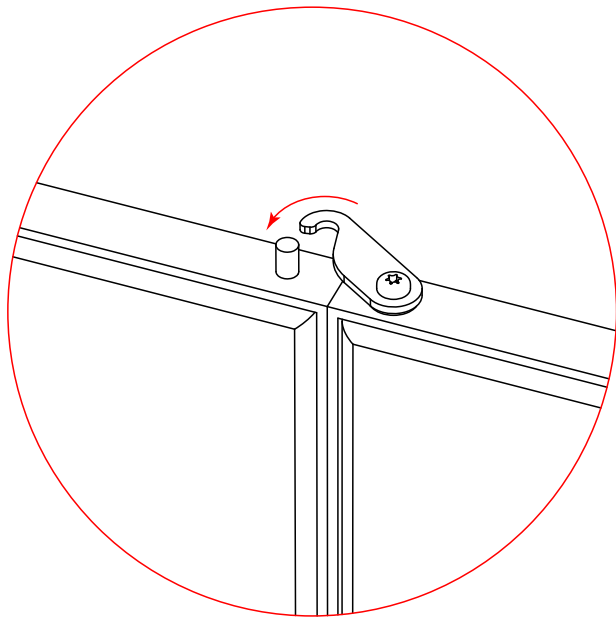
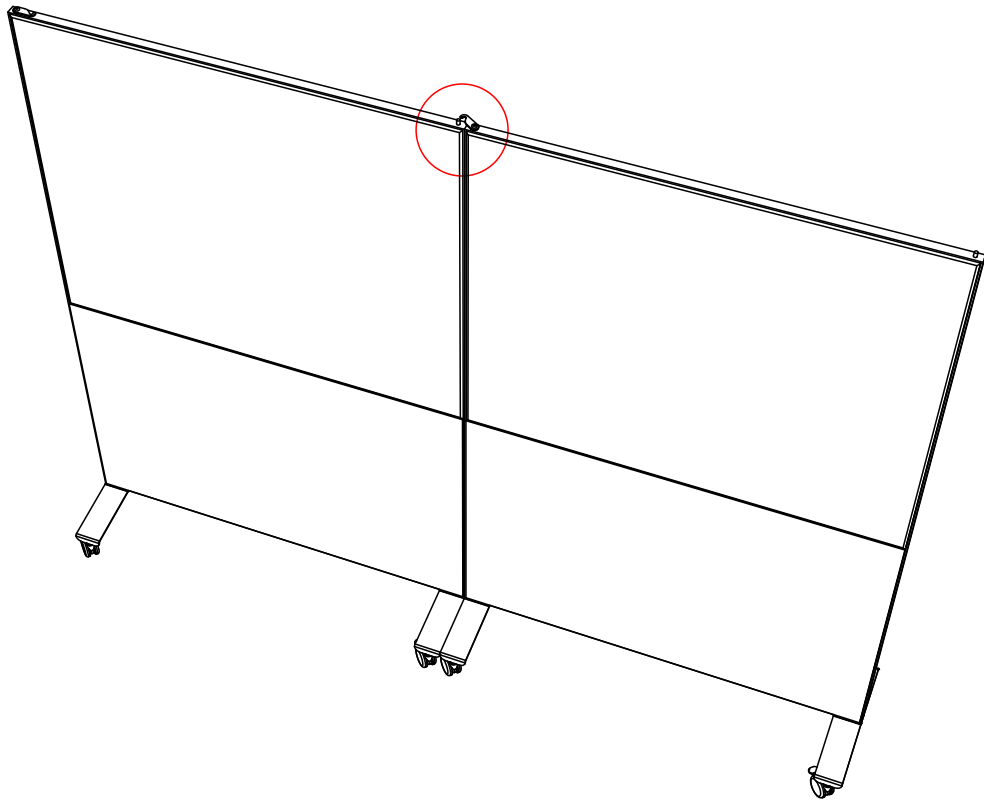
Width:	1210mm
Height:	1925mm
Depth:	425mm

### MATERIAL

Whiteboard:	Sheet metal with whiteboard enamelling high-quality, scratch-resistant, smooth, white enamelled surface, can be written on with dry, wipeable board markers, resistant to scratching, fire, bacteria, chemicals and acid-resistant, insensitive to harsh cleaning agents, magnetic
Frame:	Steel RAL 9005 matt
Absorber:	on the back and underneath the whiteboard Archisonic 24mm colour according to collection well suited as a pinboard
Castors:	4 swivel castors, two of which are lockable



# connectable



# ARCHISONIC®

Colour Families

ARCHISONIC® is a high-performance sustainable acoustic absorber made from upcycled plastic bottles which is Cradle to Cradle certified and LEED accredited.

ARCHISONIC® is manufactured at the highest quality standards, yet slight color and surface deviations caused by the high degree of recycled fiber are an inevitable part of the product characteristics and do not claim warranty services.

Material varies in colour when shown in monitor or in print. Please request a material sample to verify colours.

## QUIET NEUTRALS



## WARM NEUTRALS



## LIVING GREENS



## SOOTHING PASTELS

SHELL PINK 102	SOFT CORAL 516	ICE BLUE 304	WINTER SKY 410	SPEARMINT 706	SUCCULENT 712
-------------------	-------------------	-----------------	-------------------	------------------	------------------

## ELEGANT DARKS

GARNET 724	MARINE BLUE 864	MIDNIGHT 810	NORDIC PINE 311	RAVEN 550
---------------	--------------------	-----------------	--------------------	--------------

## ENERGETIC BRIGHTS

PACIFIC OCEAN 432	MOSS 439	SUNSHINE 846	ELECTRIC ORANGE 464	HOT PINK 140	GRAPE 540
----------------------	-------------	-----------------	------------------------	-----------------	--------------

## PRIMARY PLAY

SNOW WHITE 500	CHARCOAL 542	SUNSHINE 846	POSTER RED 662	MARINE BLUE 864
-------------------	-----------------	-----------------	-------------------	--------------------

# key data

## DIMENSIONS

ARCHISONIC® 24 mm 1800 x 2400 x 24 mm (70" x 94" x 0.94")  
ARCHISONIC® 12 mm 1200 x 2800 x 12 mm (47" x 10" x 0.47")

## COMPOSITION

100% PET (min. 60% post-consumer)

## FIRE TEST

DIN EN 13501-1 B-s1, d0  
ASTM E-84 Class A

## VOC EMISSION

CDPH 01350 Pass  
ISO 16000 (CDPH/EHLB/Standard Method V1.2.)  
EN 16516

## COLOUR FASTENESS

EN ISO 105-B02, A1 Grade 6

## SOUND ABSORPTION

DIN ISO 11654  
24 mm aw 0.55 (no airgap)  
aw 0.65 (50 mm / 2" air gap)  
aw 0.90 (100 mm / 4" air gap)  
aw 0.95 (200 mm / 8" air gap)  
aw 0.95 (300 mm / 11" air gap)  
12 mm aw 0.30 (no air gap)

## MATERIAL REUTILISATION

ARCHISONIC® 24 mm 88 plastic bottles/m<sup>2</sup>  
ARCHISONIC® 12 mm 53 plastic bottles/m<sup>2</sup>

## ENVIRONMENTAL

Cradle to Cradle Certified™  
Product qualifies for LEED v4 specifications on  
VOC emissions in LEED EQ credit  
(Low-emitting products)

## SUPPORTED BY

Climate KIC

