

MURUS

Floor Standing Division



MURUS 1180

Floor Standing Division

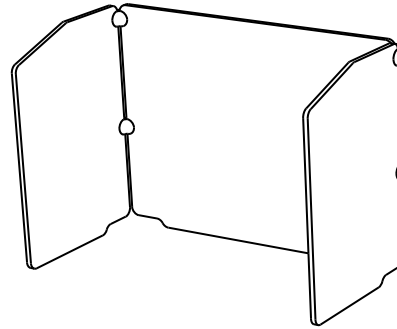
With the passion to build since childhood, Sven developed the ingenious MURUS room divider system. The individual wall elements can be simply attached together by metal connectors and can be adjust or according to need with ease.

ARTICLE NUMBER

742.24.10.000.00

DIMENSIONS

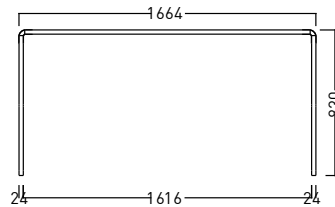
Length:	800 mm	31.49"
Width:	1600 mm	62.99"
Thickness:	1180 mm	46.45"



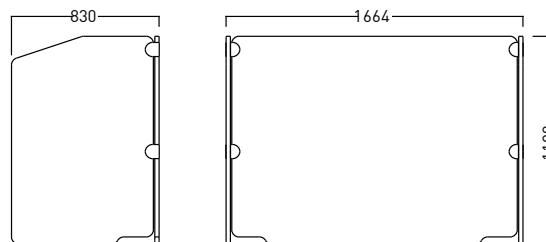
CONNECTION

The individual parts are connected to each other tool-free and only using flexible metal plug-in connectors.

PLAN



SIDE ELEVATION



MURUS 1180

Floor Standing Division

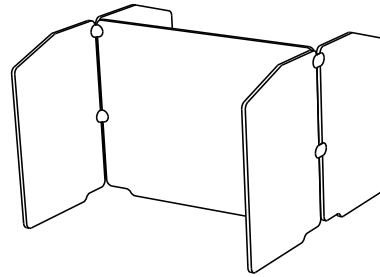
With the passion to build since childhood, Sven developed the ingenious MURUS room divider system. The individual wall elements can be simply attached together by metal connectors and can be adjusted according to need with ease.

ARTICLE NUMBER

742.24.11.000.00

DIMENSIONS

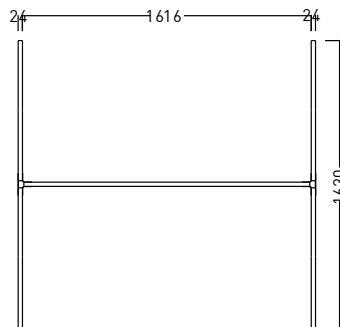
Length:	1600 mm	62.99"
Width:	1600 mm	62.99"
Thickness:	1180 mm	46.45"



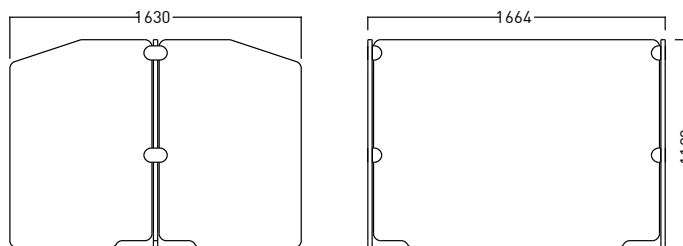
CONNECTION

The individual parts are connected to each other tool-free and only using flexible metal plug-in connectors.

PLAN



SIDE ELEVATION



MURUS 1180

Floor Standing Division

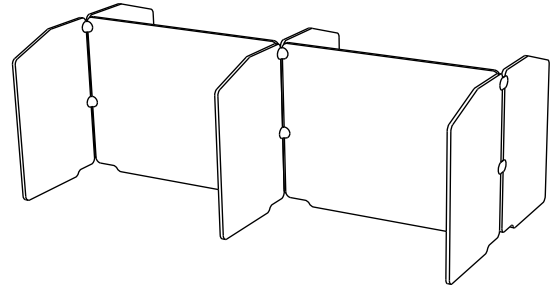
With the passion to build since childhood, Sven developed the ingenious MURUS room divider system. The individual wall elements can be simply attached together by metal connectors and can be adjusted according to need with ease.

ARTICLE NUMBER

742.24.12.000.00

DIMENSIONS

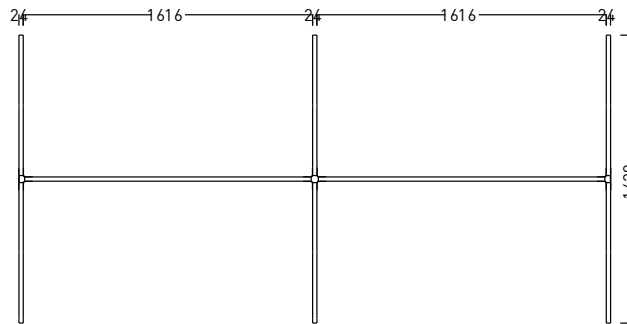
Length:	1600 mm	62.99"
Width:	3200mm	125.987"
Thickness:	1180 mm	46.45"



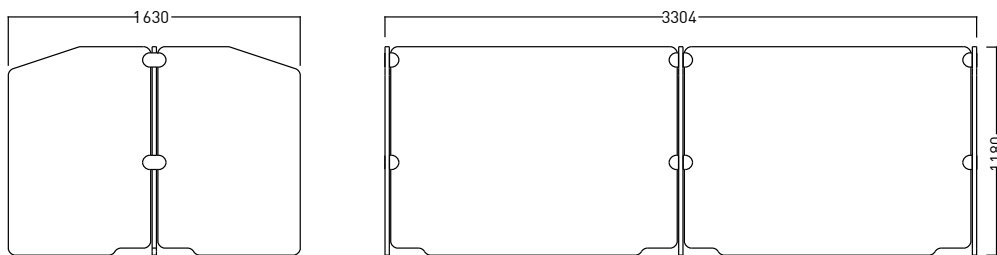
CONNECTION

The individual parts are connected to each other tool-free and only using flexible metal plug-in connectors.

PLAN



SIDE ELEVATION



MURUS 1180

Floor Standing Division

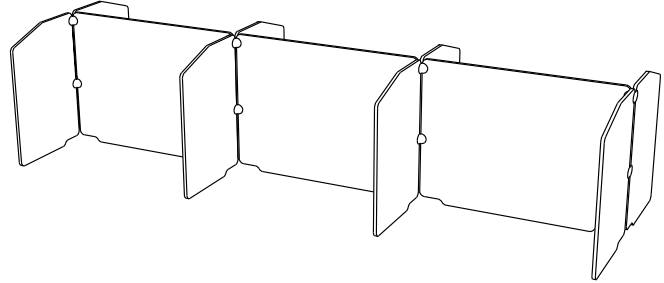
With the passion to build since childhood, Sven developed the ingenious MURUS room divider system. The individual wall elements can be simply attached together by metal connectors and can be adjust or according to need with ease.

ARTICLE NUMBER

742.24.13.000.00

DIMENSIONS

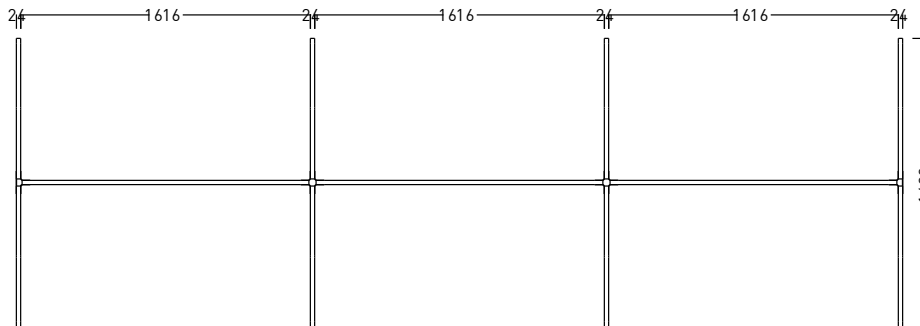
Length:	1600 mm	62.99"
Width:	4800mm	188.97"
Thickness:	1180 mm	46.45"



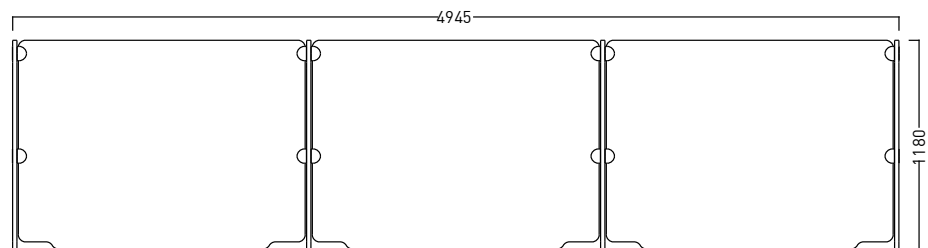
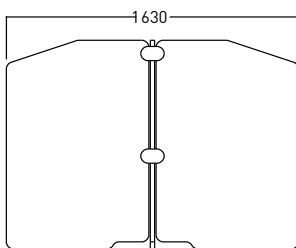
CONNECTION

The individual parts are connected to each other tool-free and only using flexible metal plug-in connectors.

PLAN



SIDE ELEVATION



TECHNICAL DATA SHEET

MURUS 1420

Floor Standing Division

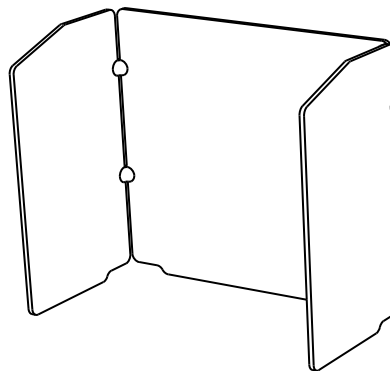
With the passion to build since childhood, Sven developed the ingenious MURUS room divider system. The individual wall elements can be simply attached together by metal connectors and can be adjusted according to need with ease.

ARTICLE NUMBER

742.24.20.000.00

DIMENSIONS

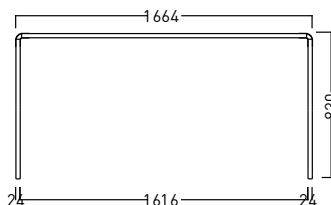
Length:	800 mm	31.49"
Width:	1600 mm	62.99"
Thickness:	1420 mm	55.90"



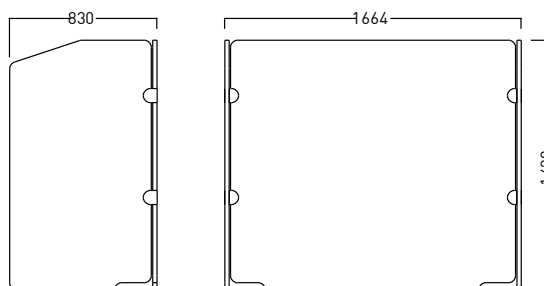
CONNECTION

The individual parts are connected to each other tool-free and only using flexible metal plug-in connectors.

PLAN



SIDE ELEVATION



MURUS 1420

Floor Standing Division

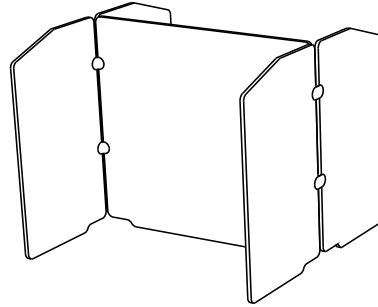
With the passion to build since childhood, Sven developed the ingenious MURUS room divider system. The individual wall elements can be simply attached together by metal connectors and can be adjusted according to need with ease.

ARTICLE NUMBER

742.24.21.000.00

DIMENSIONS

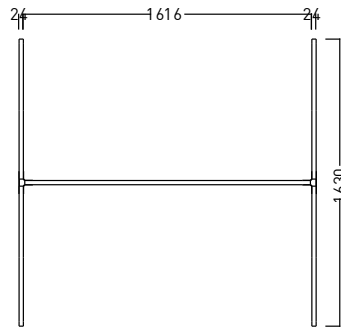
Length:	1600 mm	62.99"
Width:	1600 mm	62.99"
Thickness:	1420 mm	55.90"



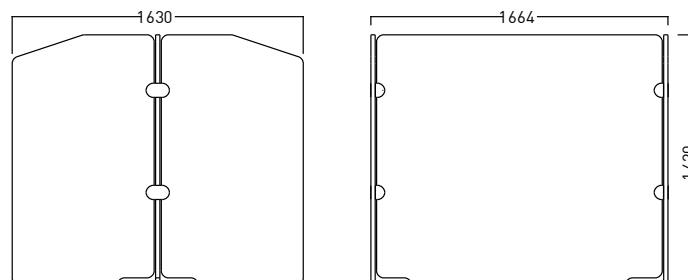
CONNECTION

The individual parts are connected to each other tool-free and only using flexible metal plug-in connectors.

PLAN



SIDE ELEVATION



MURUS 1420

Floor Standing Division

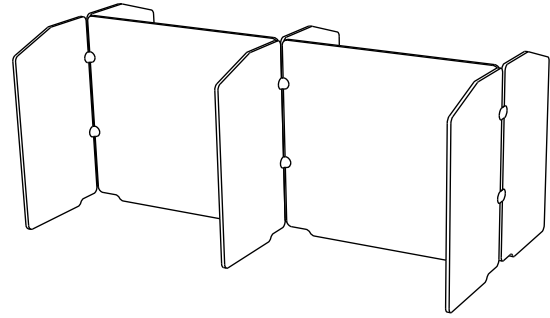
With the passion to build since childhood, Sven developed the ingenious MURUS room divider system. The individual wall elements can be simply attached together by metal connectors and can be adjusted or according to need with ease.

ARTICLE NUMBER

742.24.22.000.00

DIMENSIONS

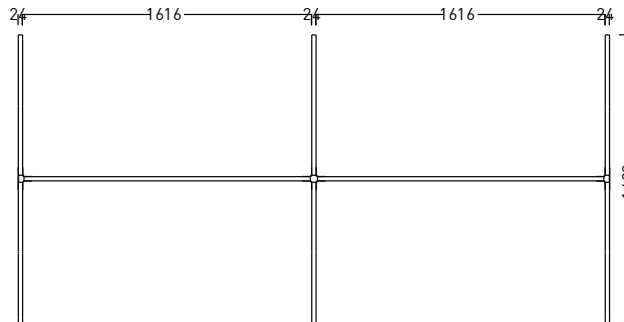
Length:	1600 mm	62.99"
Width:	3200mm	125.987"
Thickness:	1420 mm	55.90"



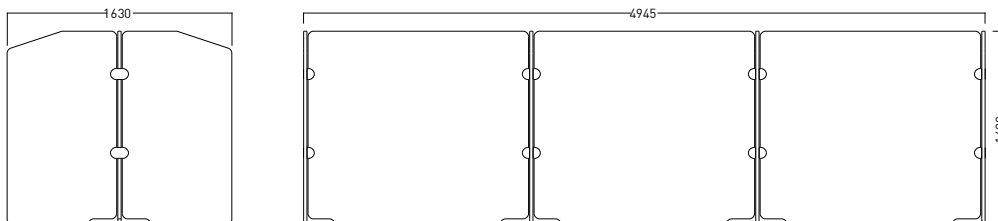
CONNECTION

The individual parts are connected to each other tool-free and only using flexible metal plug-in connectors.

PLAN



SIDE ELEVATION



MURUS 1420

Floor Standing Division

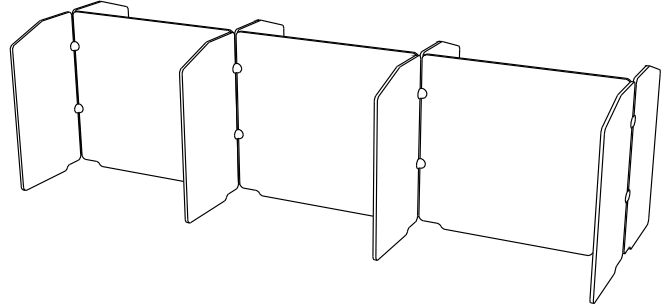
With the passion to build since childhood, Sven developed the ingenious MURUS room divider system. The individual wall elements can be simply attached together by metal connectors and can be adjusted or according to need with ease.

ARTICLE NUMBER

742.24.13.000.00

DIMENSIONS

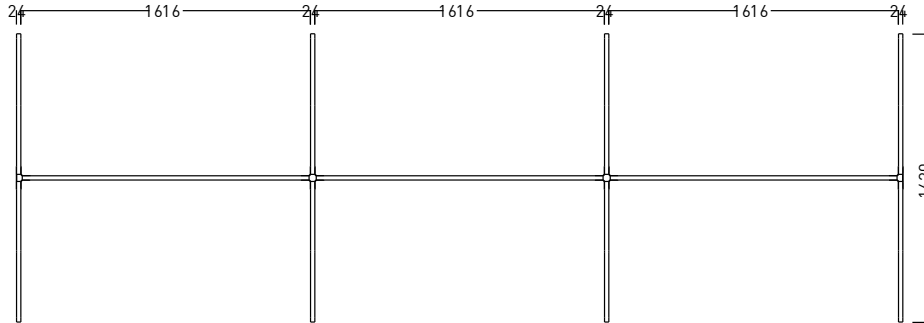
Length: 1600 mm 62.99"
Width: 4800mm 188.97"
Thickness: 1420 mm 55.90"



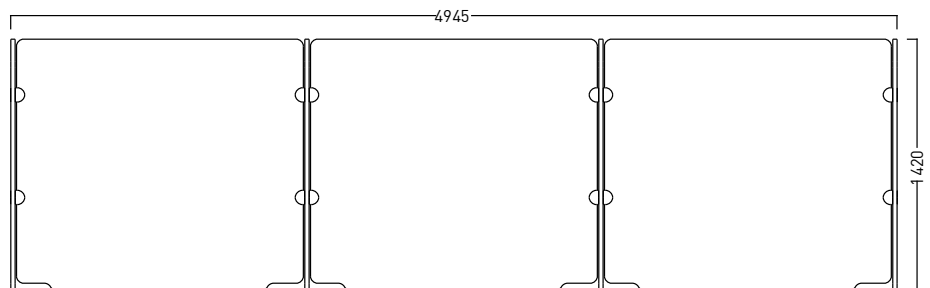
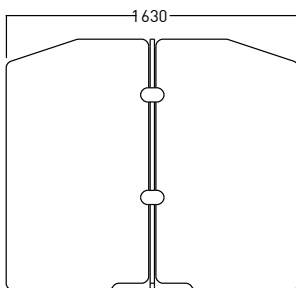
CONNECTION

The individual parts are connected to each other tool-free and only using flexible metal plug-in connectors.

PLAN



SIDE ELEVATION



TECHNICAL DATA SHEET

MURUS 1800

Floor Standing Division

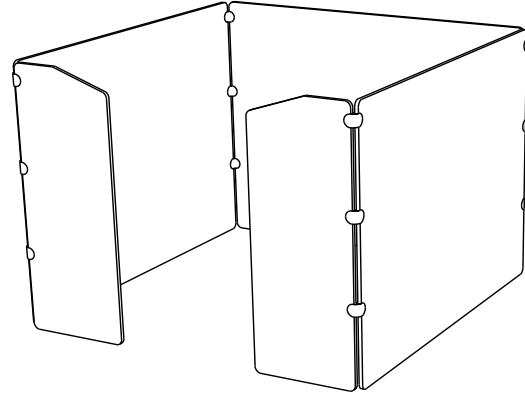
With the passion to build since childhood, Sven developed the ingenious MURUS room divider system. The individual wall elements can be simply attached together by metal connectors and can be adjusted or according to need with ease.

ARTICLE NUMBER

742.24.60.000.00

DIMENSIONS

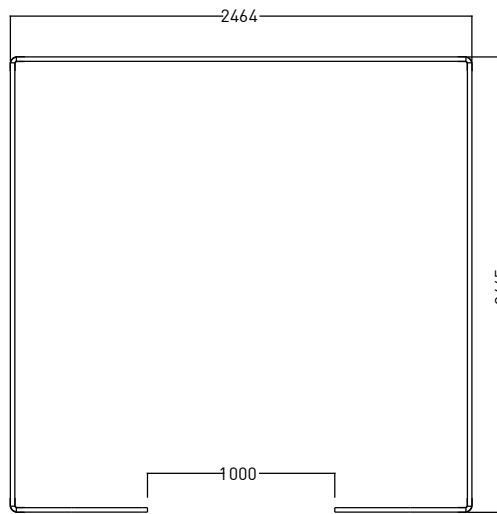
Length:	2400 mm	94.48"
Width:	2400mm	94.48"
Thickness:	1800 mm	70.86"



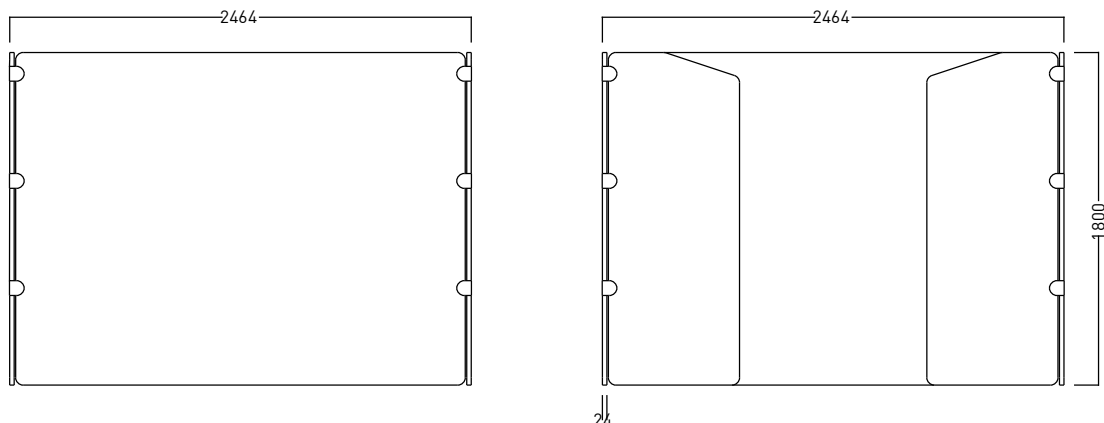
CONNECTION

The individual parts are connected to each other tool-free and only using flexible metal plug-in connectors.

PLAN



SIDE ELEVATION



ARCHISONIC®

Colour Families

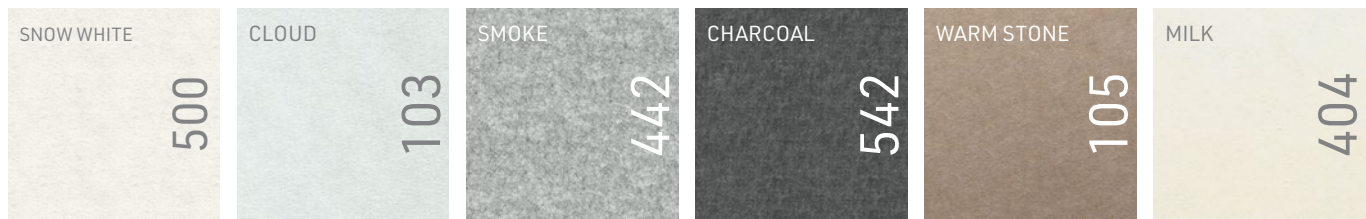
ARCHISONIC® is a high-performance sustainable acoustic absorber made from upcycled plastic bottles which is Cradle to Cradle certified and LEED accredited.

ARCHISONIC® is manufactured at the highest quality standards, yet slight color and surface deviations caused by the high degree of recycled fiber are an inevitable part of the product characteristics and do not claim warranty services.

Material varies in colour when shown in monitor or in print. Please request a material sample to verify colours.

QUIET NEUTRALS

24 mm



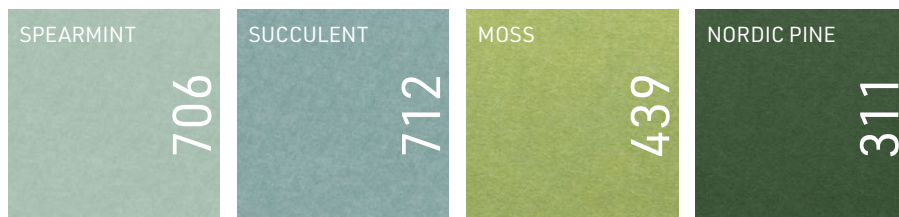
WARM NEUTRALS

24 mm



LIVING GREENS

24 mm



ELEMENTAL BLUES

24 mm



SOOTHING PASTELS

24 mm



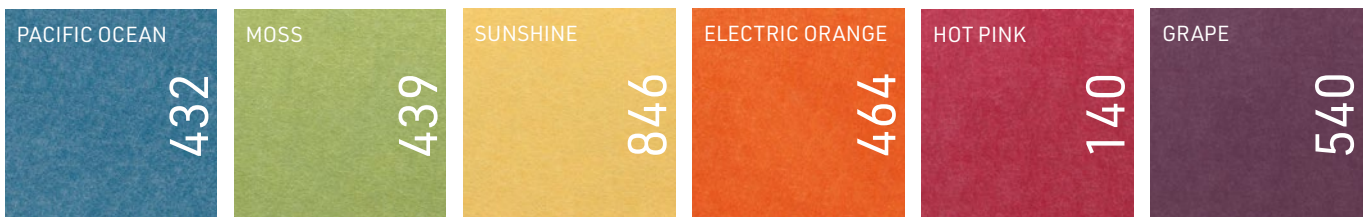
ELEGANT DARKS

24 mm



ENERGETIC BRIGHTS

24 mm



PRIMARY PLAY

24 mm



DIMENSIONS

ARCHISONIC® 24 mm 1800 x 2400 x 24 mm (70" x 94" x 0.94")
ARCHISONIC® 12 mm 1200 x 2800 x 12 mm (47" x 10" x 0.47")

COMPOSITION

100% PET (min. 60% post-consumer)

FIRE TEST

DIN EN 13501-1 B-s1, d0
ASTM E-84 Class A

VOC EMISSION

CDPH 01350 Pass
ISO 16000 (CDPH/EHLB/Standard Method V1.2.)
EN 16516

COLOUR FASTENESS

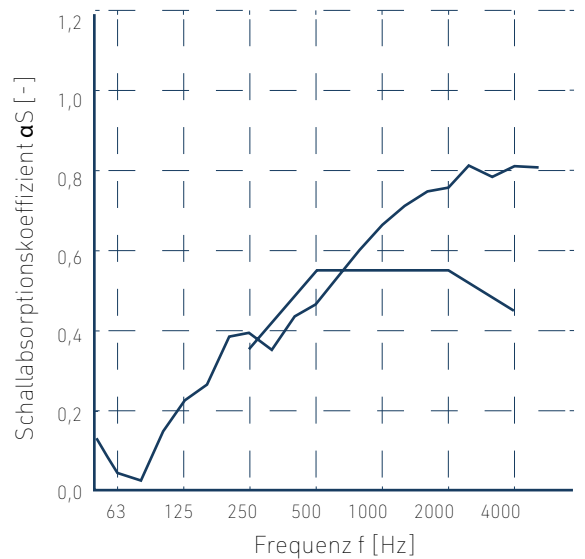
EN ISO 105-B02, A1 Grade 6

SOUND ABSORPTION

DIN ISO 11654

24 mm aw 0.55 (no airgap)
aw 0.65 (50 mm / 2" air gap)
aw 0.90 (100 mm / 4" air gap)
aw 0.95 (200 mm / 8" air gap)
aw 0.95 (300 mm / 11" air gap).

12 mm aw 0.30 (no air gap)



MATERIAL REUTILISATION

ARCHISONIC® 24 mm 88 plastic bottles/m²
ARCHISONIC® 12 mm 53 plastic bottles/m²

ENVIRONMENTAL

Cradle to Cradle Certified™
Product qualifies for LEED v4 specifications on VOC emissions in LEED EQ credit (Low-emitting products)

SUPPORTED BY

Climate KIC

