

# Plaid

## Ceiling Tiles

**Metric:**

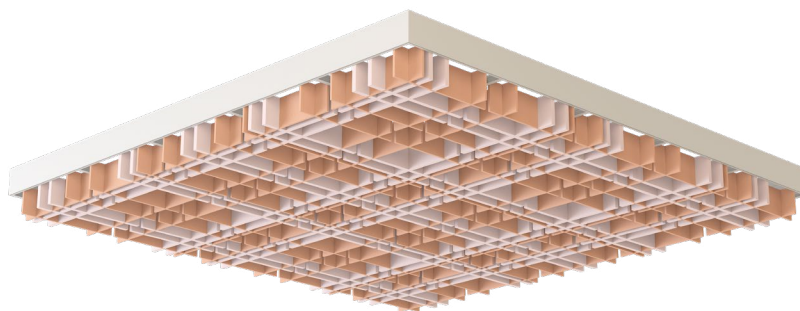
- 718.10.00.000.00
- 718.11.00.000.00
- 718.12.00.000.00
- 718.13.00.000.00
- 718.14.00.000.00
- 718.15.00.000.00
- 718.16.00.000.00
- 718.17.00.000.00
- 718.19.00.000.00
- 718.00.10.000.40
- 718.00.11.000.40

**Imperial:**

- 718.30.00.000.00
- 718.31.00.000.00
- 718.32.00.000.00
- 718.33.00.000.00
- 718.34.00.000.00
- 718.35.00.000.00
- 718.36.00.000.00
- 718.37.00.000.00
- 718.39.00.000.00
- 718.00.12.000.40
- 718.00.13.000.40

# Plaid Ceiling Tiles

## General Information



### Data

#### Applicable article numbers

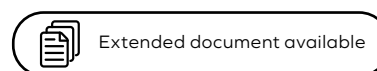
| Metric           |                  | Imperial         |                  |
|------------------|------------------|------------------|------------------|
| 718.10.00.000.00 | 718.16.00.000.00 | 718.30.00.000.00 | 718.36.00.000.00 |
| 718.11.00.000.00 | 718.17.00.000.00 | 718.31.00.000.00 | 718.37.00.000.00 |
| 718.12.00.000.00 | 718.19.00.000.00 | 718.32.00.000.00 | 718.39.00.000.00 |
| 718.13.00.000.00 | 718.00.10.000.40 | 718.33.00.000.00 | 718.00.12.000.40 |
| 718.14.00.000.00 | 718.00.11.000.40 | 718.34.00.000.00 | 718.00.13.000.40 |
| 718.15.00.000.00 |                  | 718.35.00.000.00 |                  |

| Dimensions <sup>1</sup> | Metric Units Version* | Imperial Units Version* |
|-------------------------|-----------------------|-------------------------|
| Height                  | 150mm                 | 6"                      |
| Width                   | 595 mm                | 23.75"                  |
| Length                  | 595mm                 | 23.75"                  |
| Material thickness      | 12mm and 24mm         | 0.47" and 0.94"         |

\*This product is offered in different units of measure to accommodate standard T-grid in various locations. Ensure you are specifying the correct version for your T-grid.

#### Material

Tile 100% PET (60% post-consumer) in 36 colors.

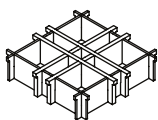


#### Weight (see pg. 6-14 for individual tile weights)<sup>2</sup>

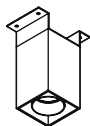
|                   |                             |                                 |
|-------------------|-----------------------------|---------------------------------|
| 12mm PET material | 2.4kg/m <sup>2</sup> (±10%) | 0.49 lbs/ft <sup>2</sup> (±10%) |
| 24mm PET material | 4kg/m <sup>2</sup> (±10%)   | 0.82 lbs/ft <sup>2</sup> (±10%) |

### Included

Plaid Ceiling Tiles



CUBE Lights  
(on request)



Installation guide



Design revision



Warranty 10 years<sup>3</sup>



1 - all dimensions are nominal 2 - all weight values are nominal 3 - Impact Acoustic warranty terms apply 4 -T-Grid is not included

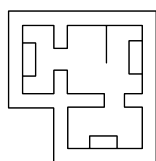
# Plaid Ceiling Tiles

## Specification Guide

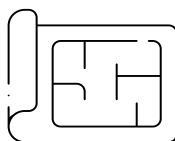
Ensure you make the perfect choice by choosing our solutions for your next project. To get started, simply define some basic information and constraints about your space. Then explore our range of standard solutions or contact us directly for a more in-depth discussion of personalised customized options.

### 1 Prepare this information:

---



Project Area



Ceiling Plans (RCP)

page 17

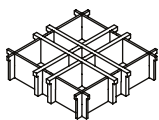


Other Considerations

page 17

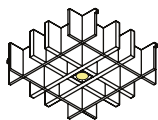
### 2 Specify your Tiles:

---



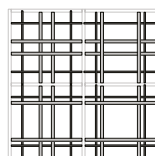
Modules

page 4-5



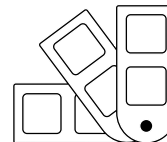
Lighting Option

page 18-19



Layout

page 20-26



Color 1  
Color 2 (Plaid 3-8)

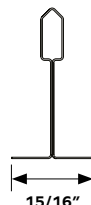
page 27

### 3 Select installation method:

---



T-Grid (24mm)  
\*(By Others)

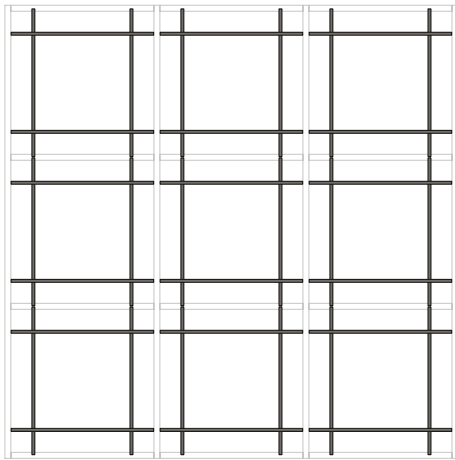
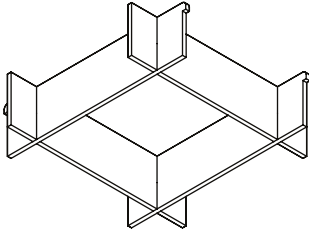


T-Grid (15/16")  
\*(By Others)

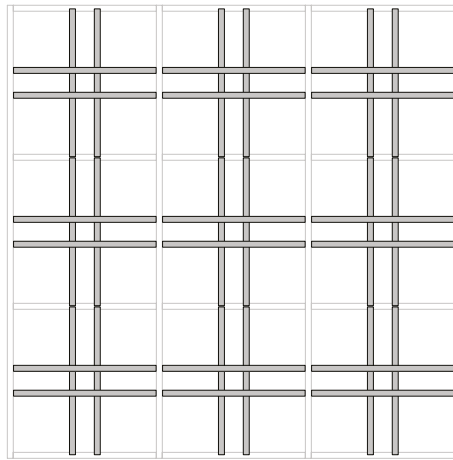
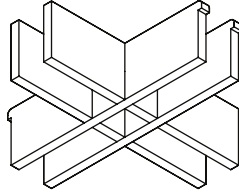
# Plaid Ceiling Tiles

## Available Designs

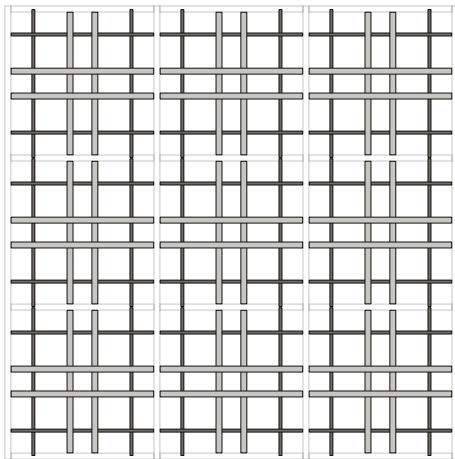
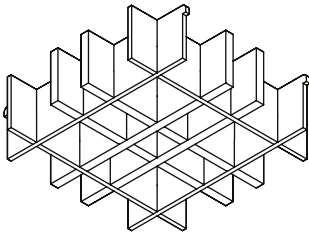
718.10.00.000.00 (Metric) / 718.30.00.000.00 (Imperial)  
Plaid 1 Ceiling Tile



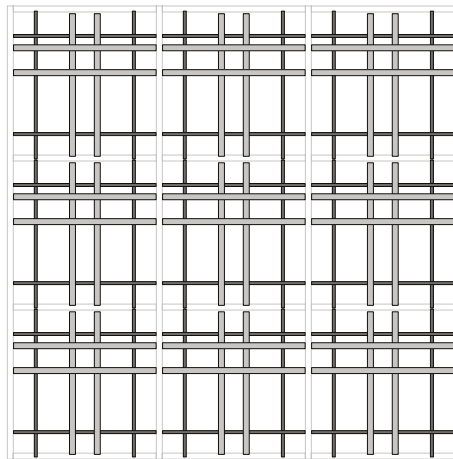
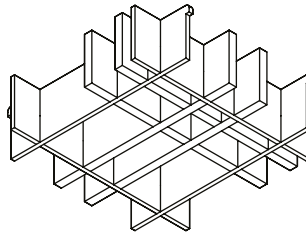
718.11.00.000.00 (Metric) / 718.31.00.000.00 (Imperial)  
Plaid 2 Ceiling Tile\*



718.12.00.000.00 (Metric) / 718.32.00.000.00 (Imperial)  
Plaid 3 Ceiling Tile\*



718.13.00.000.00 (Metric) / 718.33.00.000.00 (Imperial)  
Plaid 4 Ceiling Tile\*

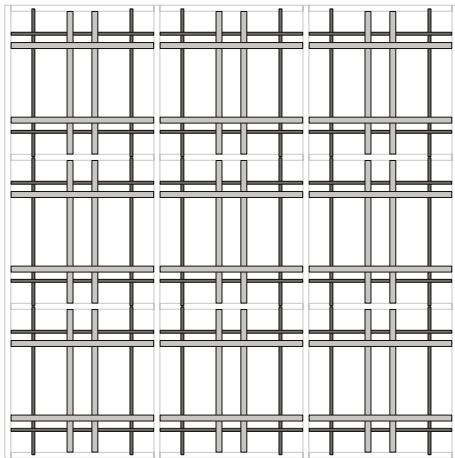
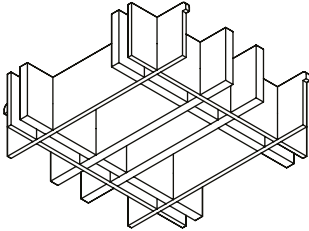


\*Indicates Cube Light Compatibility

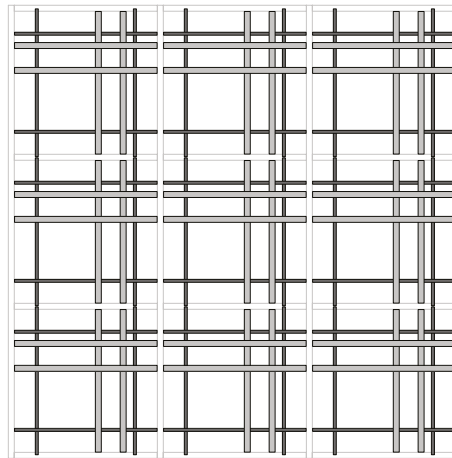
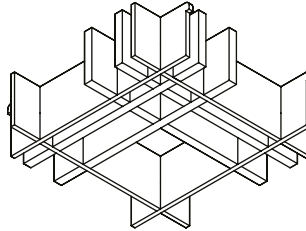
# Plaid Ceiling Tiles

## Available Designs

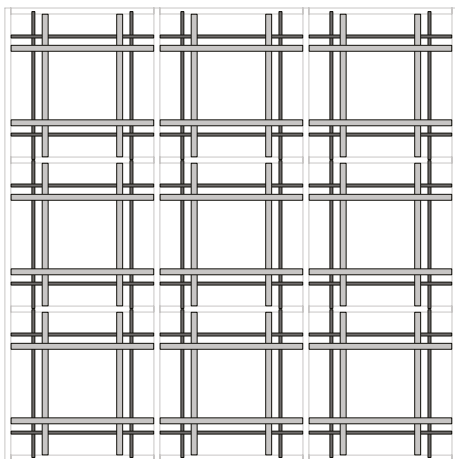
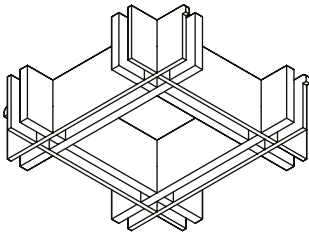
718.14.00.000.00 (Metric) / 718.34.00.000.00 (Imperial)  
Plaid 5 Ceiling Tile\*



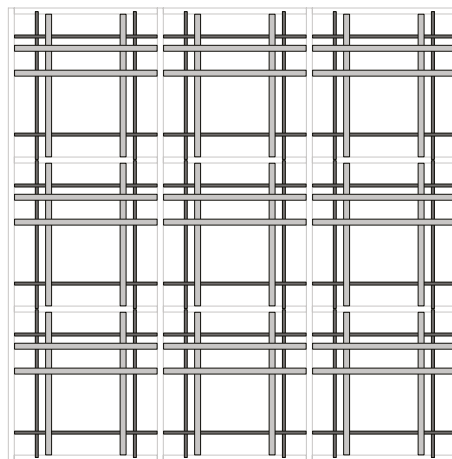
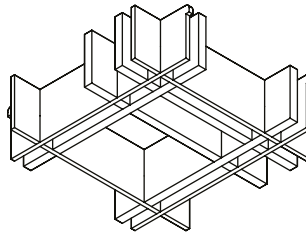
718.15.00.000.00 (Metric) / 718.35.00.000.00 (Imperial)  
Plaid 6 Ceiling Tile\*



718.16.00.000.00 (Metric) / 718.36.00.000.00 (Imperial)  
Plaid 7 Ceiling Tile



718.17.00.000.00 (Metric) / 718.37.00.000.00 (Imperial)  
Plaid 8 Ceiling Tile\*



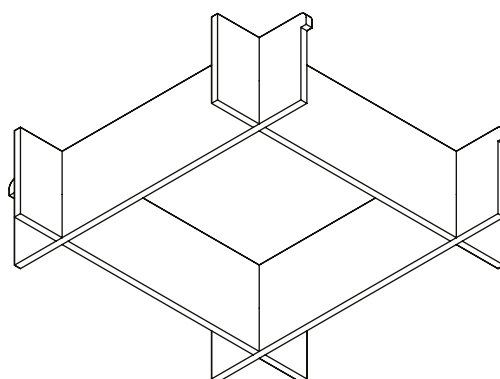
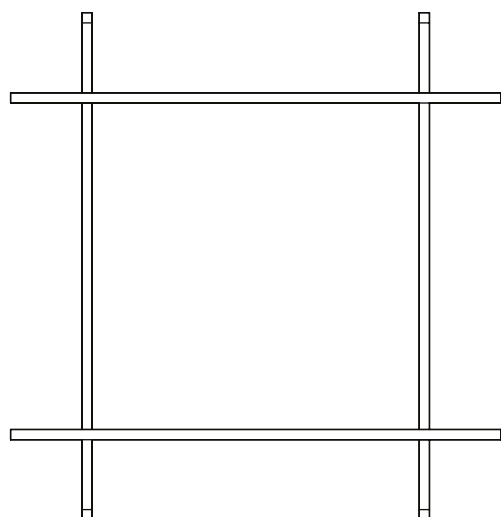
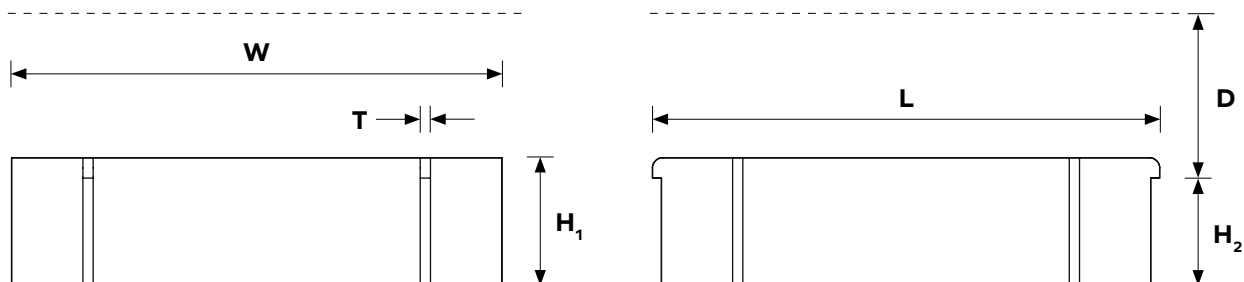
\*Indicates Cube Light Compatibility

# Plaid Ceiling Tiles

## Geometry Information

### Plaid 1 Ceiling Tile

718.10.00.000.00 (Metric) / 718.30.00.000.00 (Imperial)



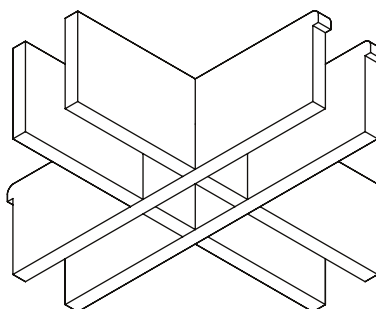
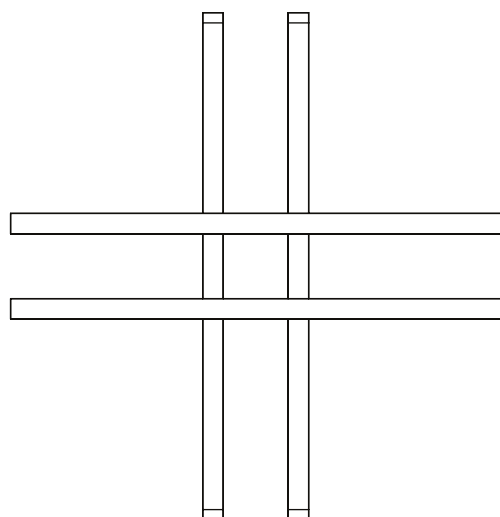
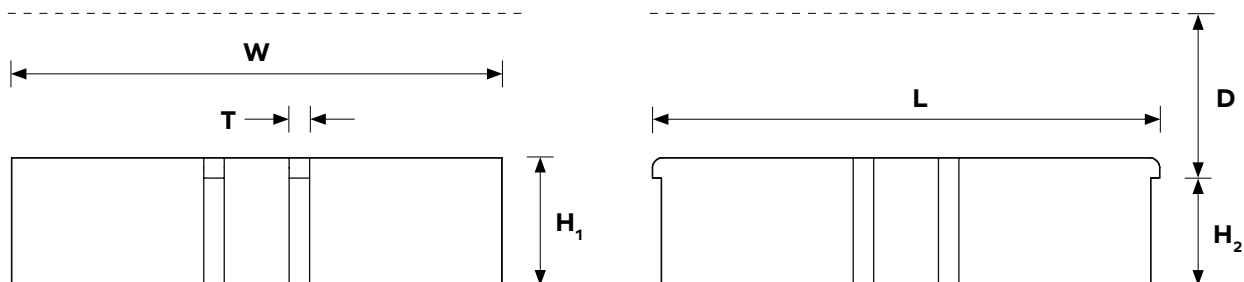
| Dimensions table     |                       | Metric     | Imperial |
|----------------------|-----------------------|------------|----------|
| <b>W</b>             | Total width           | 595mm      | 23.75"   |
| <b>L</b>             | Total length          | 595mm      | 23.75"   |
| <b>H<sub>1</sub></b> | Total height          | 150mm      | 6"       |
| <b>H<sub>2</sub></b> | Height (Below T-Grid) | 126mm      | 5.5"     |
| <b>D</b>             | Distance from ceiling | min. 300mm | min. 12" |
| <b>T</b>             | Material Thickness    | 12mm       | .47"     |
| -                    | Tile Weight           | .82kg      | 1.8lbs   |

# Plaid Ceiling Tiles

## Geometry Information

### Plaid 2 Ceiling Tile

718.11.00.000.00 (Metric) / 718.31.00.000.00 (Imperial)



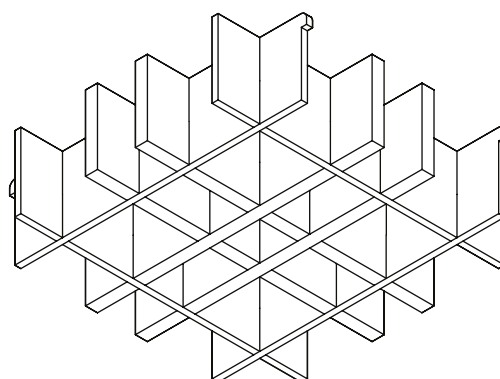
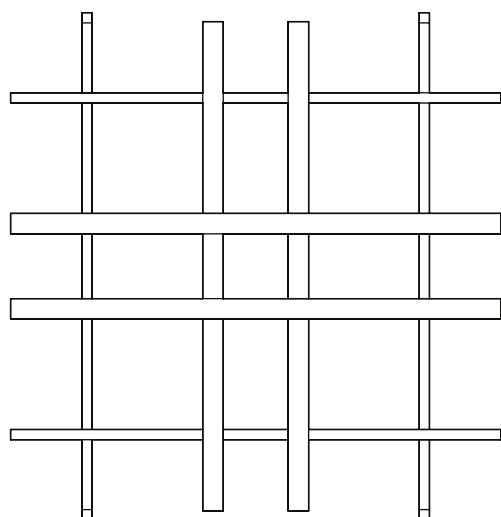
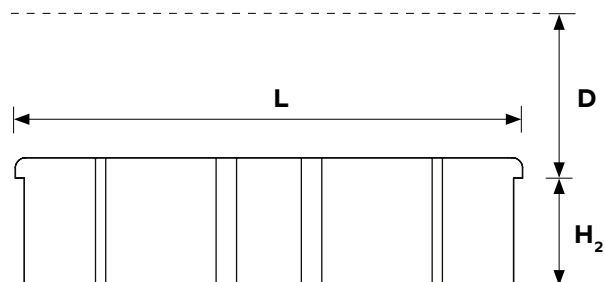
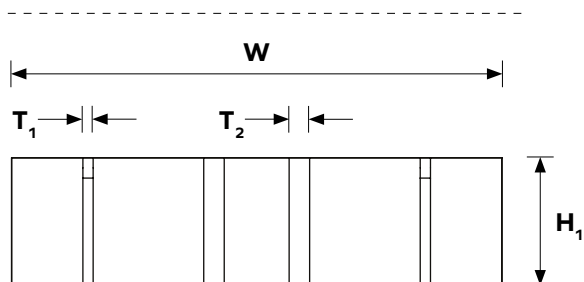
| Dimensions table     |                       | Metric     | Imperial |
|----------------------|-----------------------|------------|----------|
| <b>W</b>             | Total width           | 595mm      | 23.75"   |
| <b>L</b>             | Total length          | 595mm      | 23.75"   |
| <b>H<sub>1</sub></b> | Total height          | 150mm      | 6"       |
| <b>H<sub>2</sub></b> | Height (Below T-Grid) | 126mm      | 5.5"     |
| <b>D</b>             | Distance from ceiling | min. 300mm | min. 12" |
| <b>T</b>             | Material Thickness    | 24mm       | .94"     |
| -                    | Tile Weight           | 1.32kg     | 2.9lbs   |

# Plaid Ceiling Tiles

## Geometry Information

### Plaid 3 Ceiling Tile

718.12.00.000.00 (Metric) / 718.32.00.000.00 (Imperial)



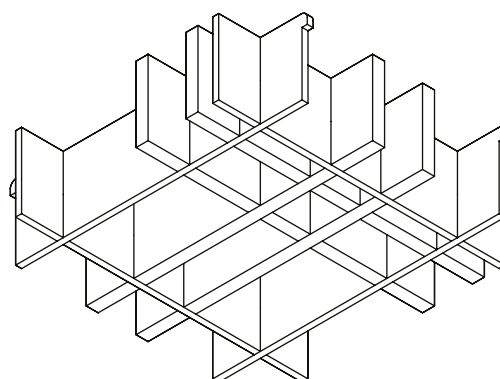
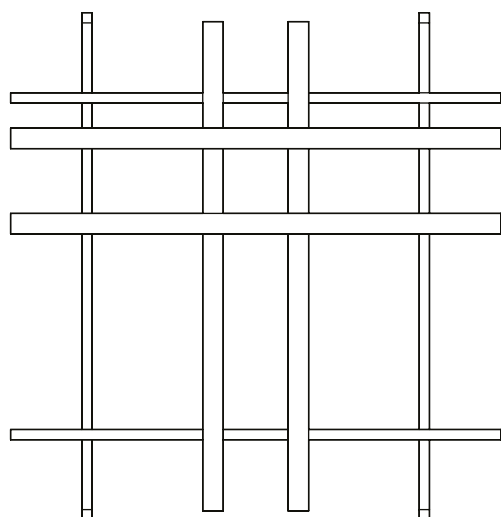
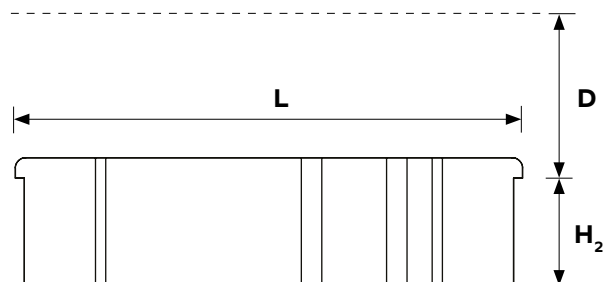
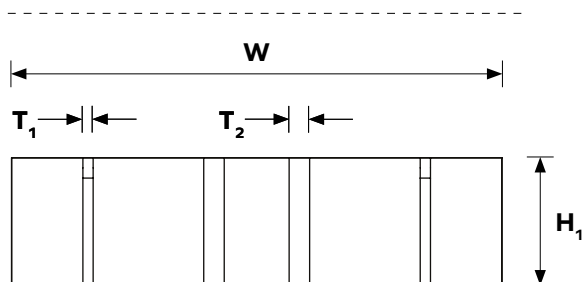
| Dimensions table     |                        | Metric     | Imperial |
|----------------------|------------------------|------------|----------|
| <b>W</b>             | Total width            | 595mm      | 23.75"   |
| <b>L</b>             | Total length           | 595mm      | 23.75"   |
| <b>H<sub>1</sub></b> | Total height           | 126mm      | 5.5"     |
| <b>H<sub>2</sub></b> | Height (Below T-Grid)  | 150mm      | 6"       |
| <b>D</b>             | Distance from ceiling  | min. 300mm | min. 12" |
| <b>T<sub>1</sub></b> | Material Thickness (1) | 12mm       | .47"     |
| <b>T<sub>2</sub></b> | Material Thickness (2) | 24mm       | .94"     |
| -                    | Tile Weight            | 2.05kg     | 4.5lbs   |

# Plaid Ceiling Tiles

## Geometry Information

### Plaid 4 Ceiling Tile

718.13.00.000.00 (Metric) / 718.33.00.000.00 (Imperial)



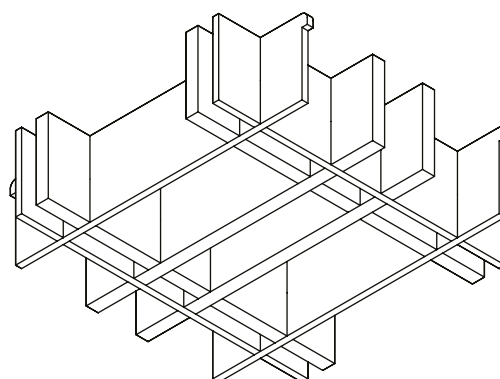
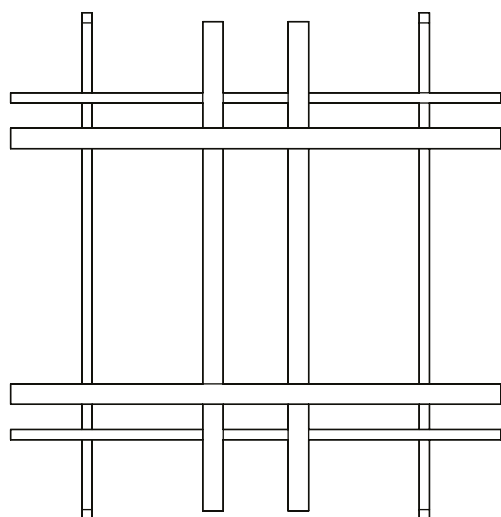
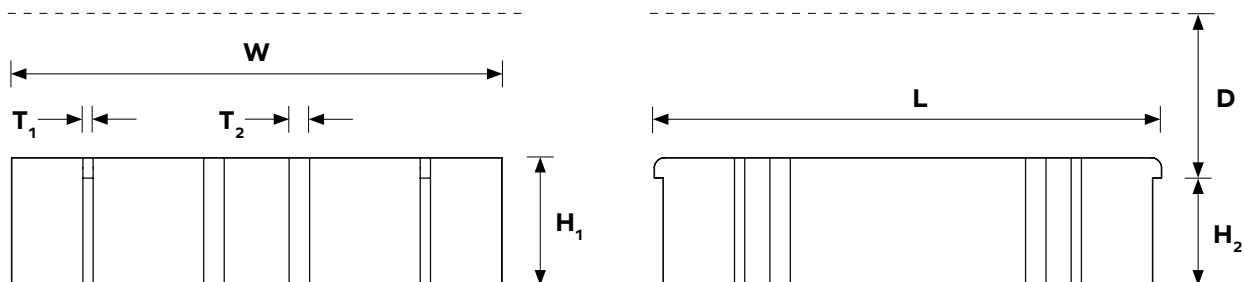
| Dimensions table     |                        | Metric     | Imperial |
|----------------------|------------------------|------------|----------|
| <b>W</b>             | Total width            | 595mm      | 23.75"   |
| <b>L</b>             | Total length           | 595mm      | 23.75"   |
| <b>H<sub>1</sub></b> | Total height           | 126mm      | 5.5"     |
| <b>H<sub>2</sub></b> | Height (Below T-Grid)  | 150mm      | 6"       |
| <b>D</b>             | Distance from ceiling  | min. 300mm | min. 12" |
| <b>T<sub>1</sub></b> | Material Thickness (1) | 12mm       | .47"     |
| <b>T<sub>2</sub></b> | Material Thickness (2) | 24mm       | .94"     |
| -                    | Tile Weight            | 2.05kg     | 4.5lbs   |

# Plaid Ceiling Tiles

## Geometry Information

### Plaid 5 Ceiling Tile

718.14.00.000.00 (Metric) / 718.34.00.000.00 (Imperial)



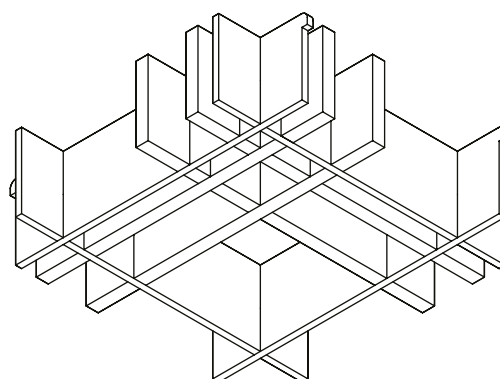
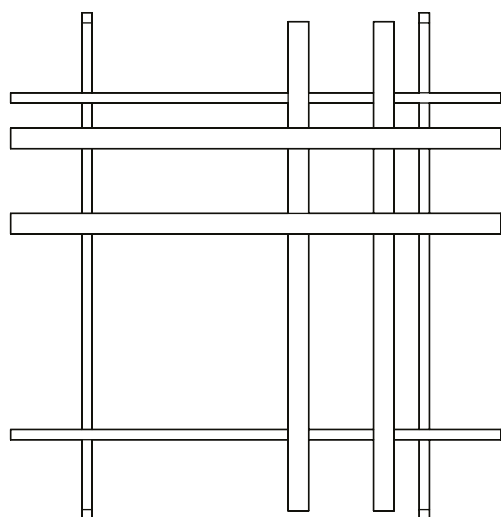
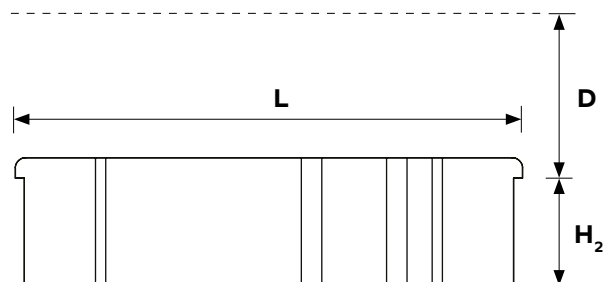
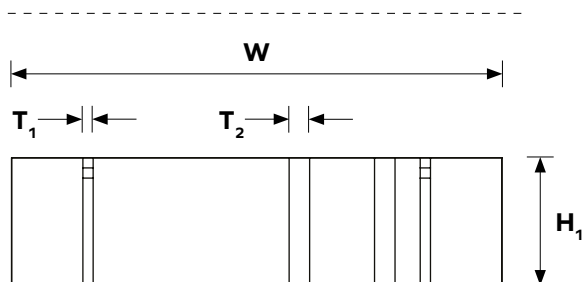
| Dimensions table     |                        | Metric     | Imperial |
|----------------------|------------------------|------------|----------|
| <b>W</b>             | Total width            | 595mm      | 23.75"   |
| <b>L</b>             | Total length           | 595mm      | 23.75"   |
| <b>H<sub>1</sub></b> | Total height           | 126mm      | 5.5"     |
| <b>H<sub>2</sub></b> | Height (Below T-Grid)  | 150mm      | 6"       |
| <b>D</b>             | Distance from ceiling  | min. 300mm | min. 12" |
| <b>T<sub>1</sub></b> | Material Thickness (1) | 12mm       | .47"     |
| <b>T<sub>2</sub></b> | Material Thickness (2) | 24mm       | .94"     |
| -                    | Tile Weight            | 2.05kg     | 4.5lbs   |

# Plaid Ceiling Tiles

## Geometry Information

### Plaid 6 Ceiling Tile

718.15.00.000.00 (Metric) / 718.35.00.000.00 (Imperial)



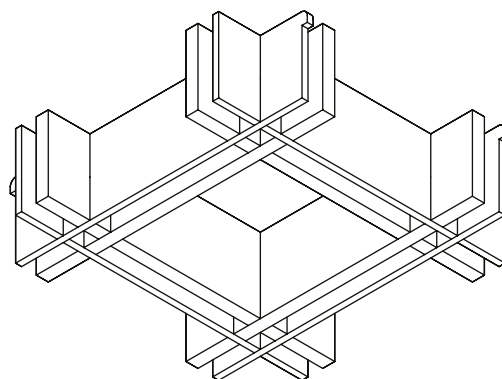
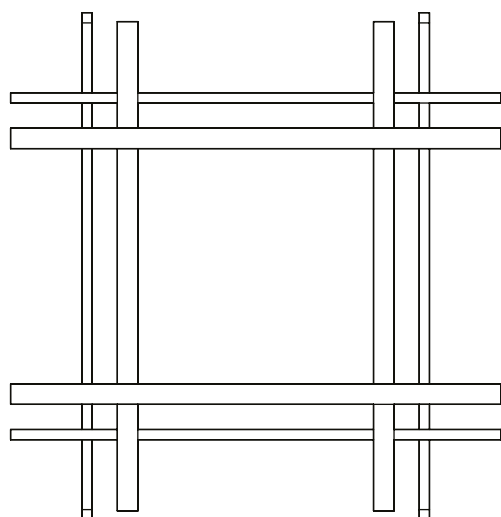
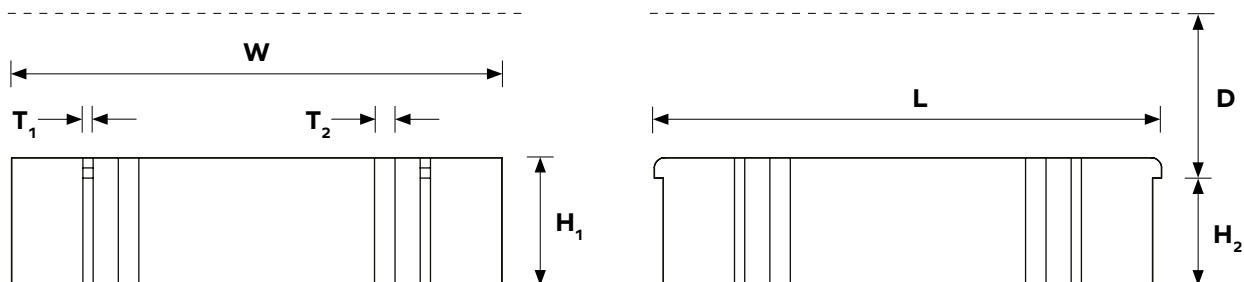
| Dimensions table     |                        | Metric     | Imperial |
|----------------------|------------------------|------------|----------|
| <b>W</b>             | Total width            | 595mm      | 23.75"   |
| <b>L</b>             | Total length           | 595mm      | 23.75"   |
| <b>H<sub>1</sub></b> | Total height           | 126mm      | 5.5"     |
| <b>H<sub>2</sub></b> | Height (Below T-Grid)  | 150mm      | 6"       |
| <b>D</b>             | Distance from ceiling  | min. 300mm | min. 12" |
| <b>T<sub>1</sub></b> | Material Thickness (1) | 12mm       | .47"     |
| <b>T<sub>2</sub></b> | Material Thickness (2) | 24mm       | .94"     |
| -                    | Tile Weight            | 2.05kg     | 4.5lbs   |

# Plaid Ceiling Tiles

## Geometry Information

### Plaid 7 Ceiling Tile

718.16.00.000.00 (Metric) / 718.36.00.000.00 (Imperial)



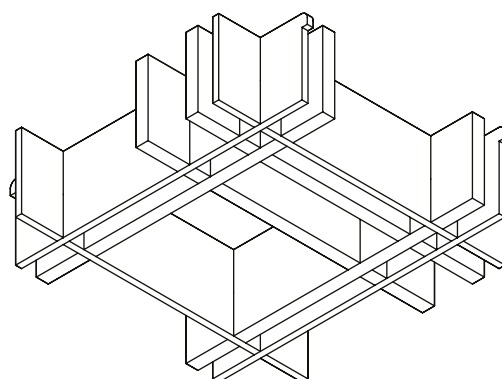
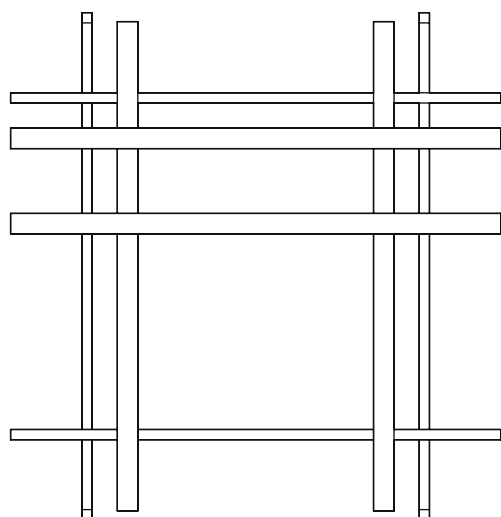
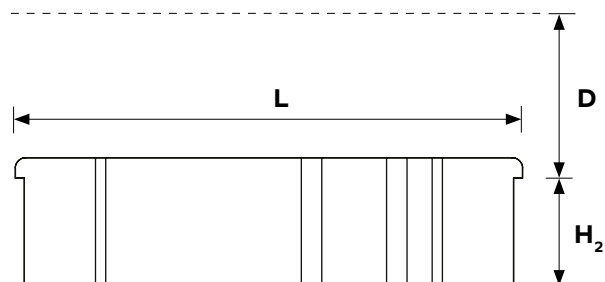
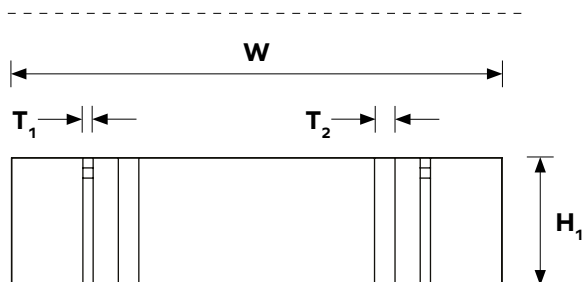
| Dimensions table     |                        | Metric     | Imperial |
|----------------------|------------------------|------------|----------|
| <b>W</b>             | Total width            | 595mm      | 23.75"   |
| <b>L</b>             | Total length           | 595mm      | 23.75"   |
| <b>H<sub>1</sub></b> | Total height           | 126mm      | 5.5"     |
| <b>H<sub>2</sub></b> | Height (Below T-Grid)  | 150mm      | 6"       |
| <b>D</b>             | Distance from ceiling  | min. 300mm | min. 12" |
| <b>T<sub>1</sub></b> | Material Thickness (1) | 12mm       | .47"     |
| <b>T<sub>2</sub></b> | Material Thickness (2) | 24mm       | .94"     |
| -                    | Tile Weight            | 2.05kg     | 4.5lbs   |

# Plaid Ceiling Tiles

## Geometry Information

### Plaid 8 Ceiling Tile

718.17.00.000.00 (Metric) / 718.37.00.000.00 (Imperial)



#### Dimensions table

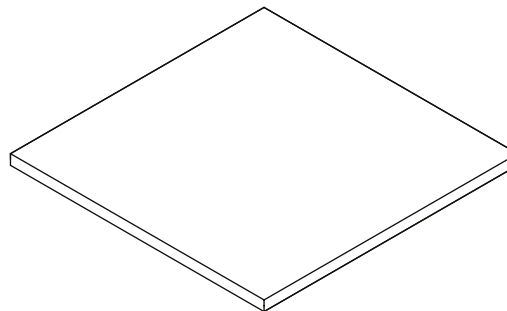
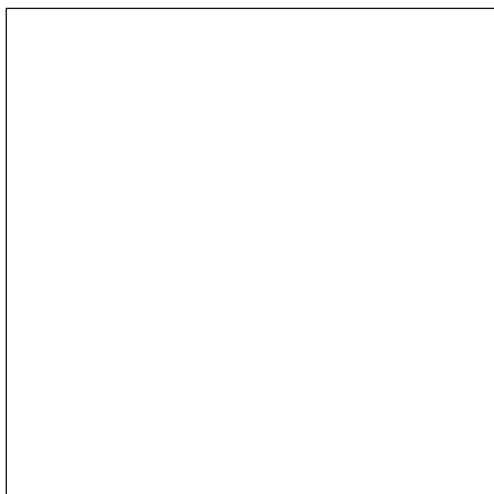
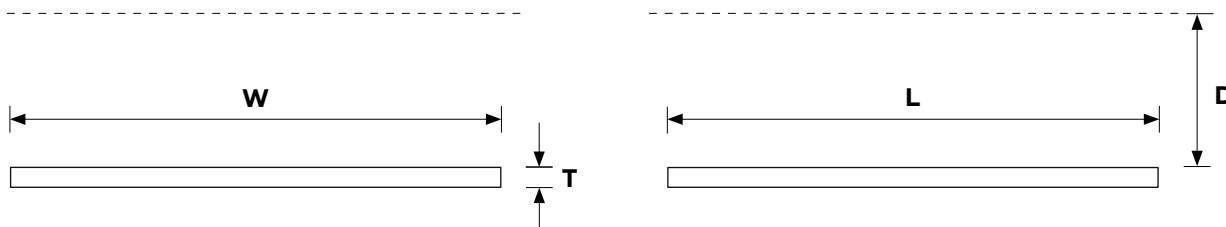
|                      |                        | Metric     | Imperial |
|----------------------|------------------------|------------|----------|
| <b>W</b>             | Total width            | 595mm      | 23.75"   |
| <b>L</b>             | Total length           | 595mm      | 23.75"   |
| <b>H<sub>1</sub></b> | Total height           | 126mm      | 5.5"     |
| <b>H<sub>2</sub></b> | Height (Below T-Grid)  | 150mm      | 6"       |
| <b>D</b>             | Distance from ceiling  | min. 300mm | min. 12" |
| <b>T<sub>1</sub></b> | Material Thickness (1) | 12mm       | .47"     |
| <b>T<sub>2</sub></b> | Material Thickness (2) | 24mm       | .94"     |
| -                    | Tile Weight            | 2.05kg     | 4.5lbs   |

# Plaid Ceiling Tiles

## Geometry Information

### 24mm Infill

718.19.00.000.00 (Metric) / 718.39.00.000.00 (Imperial)



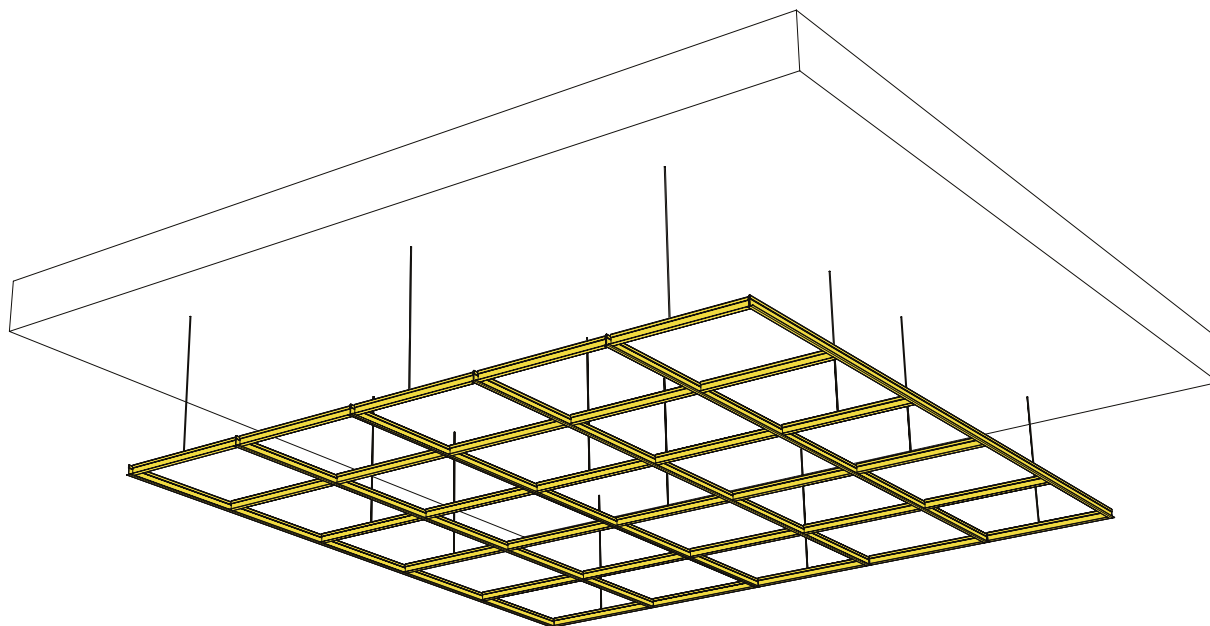
| Dimensions table |                       | Metric     | Imperial |
|------------------|-----------------------|------------|----------|
| <b>W</b>         | Total width           | 595mm      | 23.75"   |
| <b>L</b>         | Total length          | 595mm      | 23.75"   |
| <b>D</b>         | Distance from ceiling | min. 300mm | min. 12" |
| <b>T</b>         | Material Thickness    | 24mm       | .94"     |
| -                | Tile Weight           | 1.4kg      | 3.09lbs  |

# Plaid Ceiling Tiles

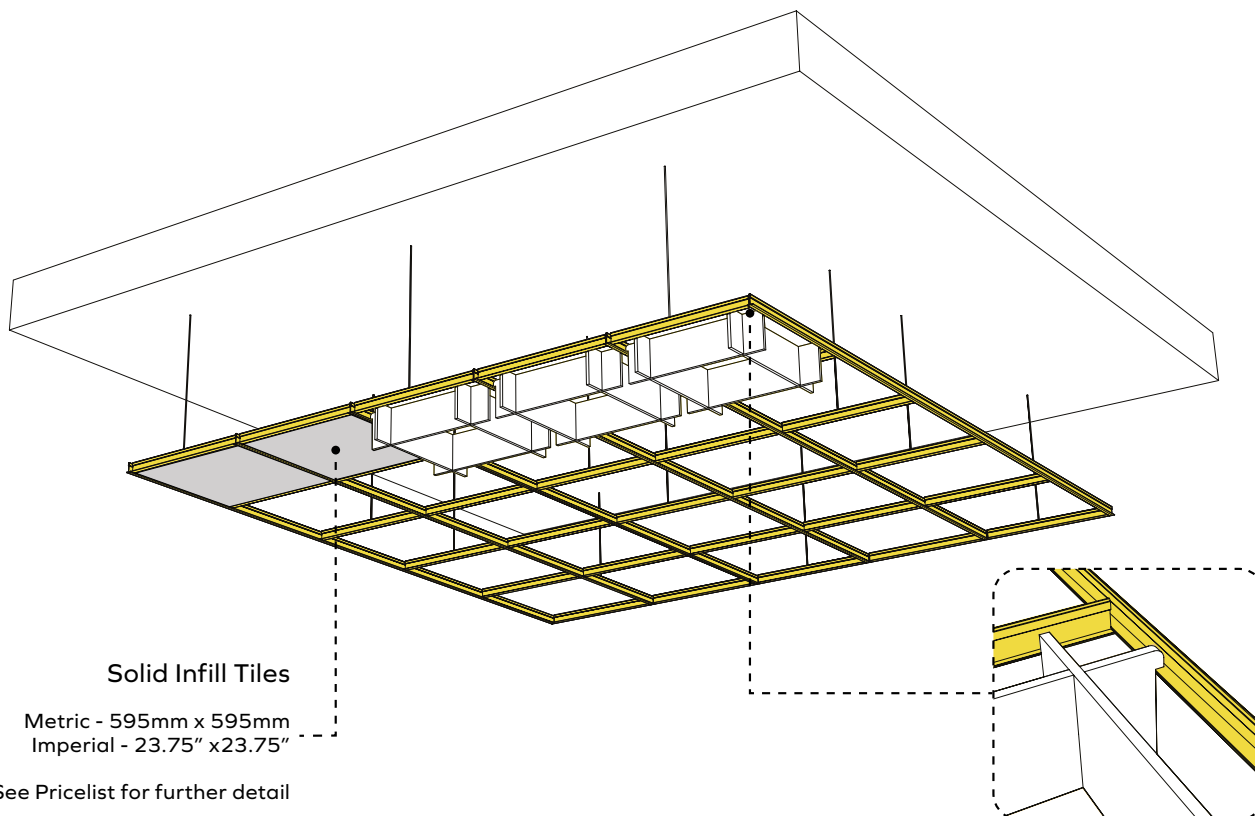
## Installation Overview

### 1 Primary and secondary 3rd party substructure

For the ceiling substructure we recommend using **PRELUDE 15/16" Exposed Tee Grid System** from Kanopi by Armstrong (US: 24" x 24" Cells) or Armstrong **SELECT 1000 24mm Exposed Tee System** from KNAUF Ceiling Solutions (EU: 600mm x 600mm Cells). T-Grid from other suppliers may be used, however it must have a **profile width of 15/16" or 24mm**.



### 2 Plaid Tile Installed in 3rd party substructure



# Plaid Ceiling Tiles

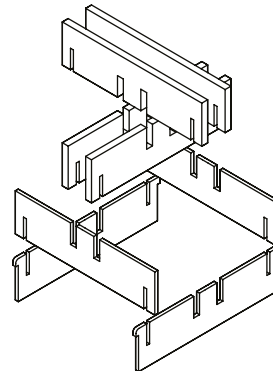
## Installation Overview



Extended document available

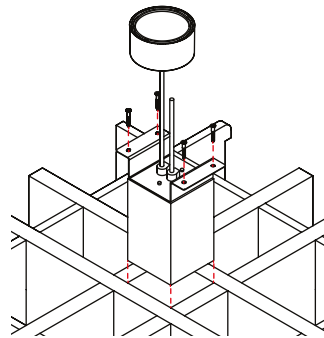
### 1 Assemble Tiles

Assemble fins, ensuring the connection tabs are at the top of the tile.



### 1a \*Optional: Attach CUBE Light

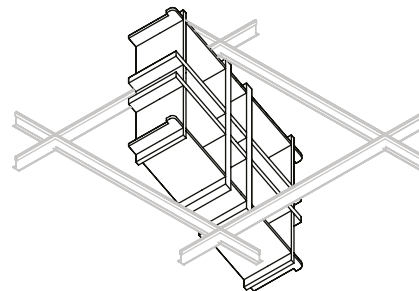
Lower CUBE Light into assembled tile, ensuring brackets are aligned to fins and secure using screws. (See lighting manufacturer's documentation for further detail and wiring instructions.)



### 2 Angle Tile Through Grid\*

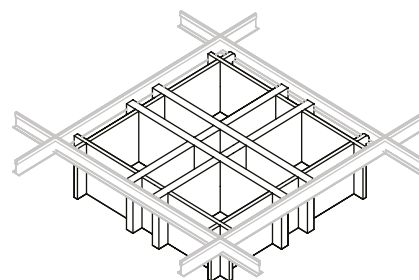
Tip the tile upward and align diagonally to T-grid cell. Then bring the tile above the grid.

\*Note: Min. 300mm/12" space above T-Grid is required



### 3 Align and Lower Tile

With the tile above the grid rotate to align with the cell. Carefully lower the tile.



# Plaid Ceiling Tiles

## Planning Considerations

 Extended document available

When planning the addition of a Plaid Ceilings to your space, please consider the following aspects.

### 1 Project Area

Check and verify the project area where the Plaid Ceiling Tiles will be installed. This will allow us to provide you with an accurate quote.

Verify if RCP drawings for the space are available. This will help plan for any obstacles like columns and air-ducts that might collide with the tiles.

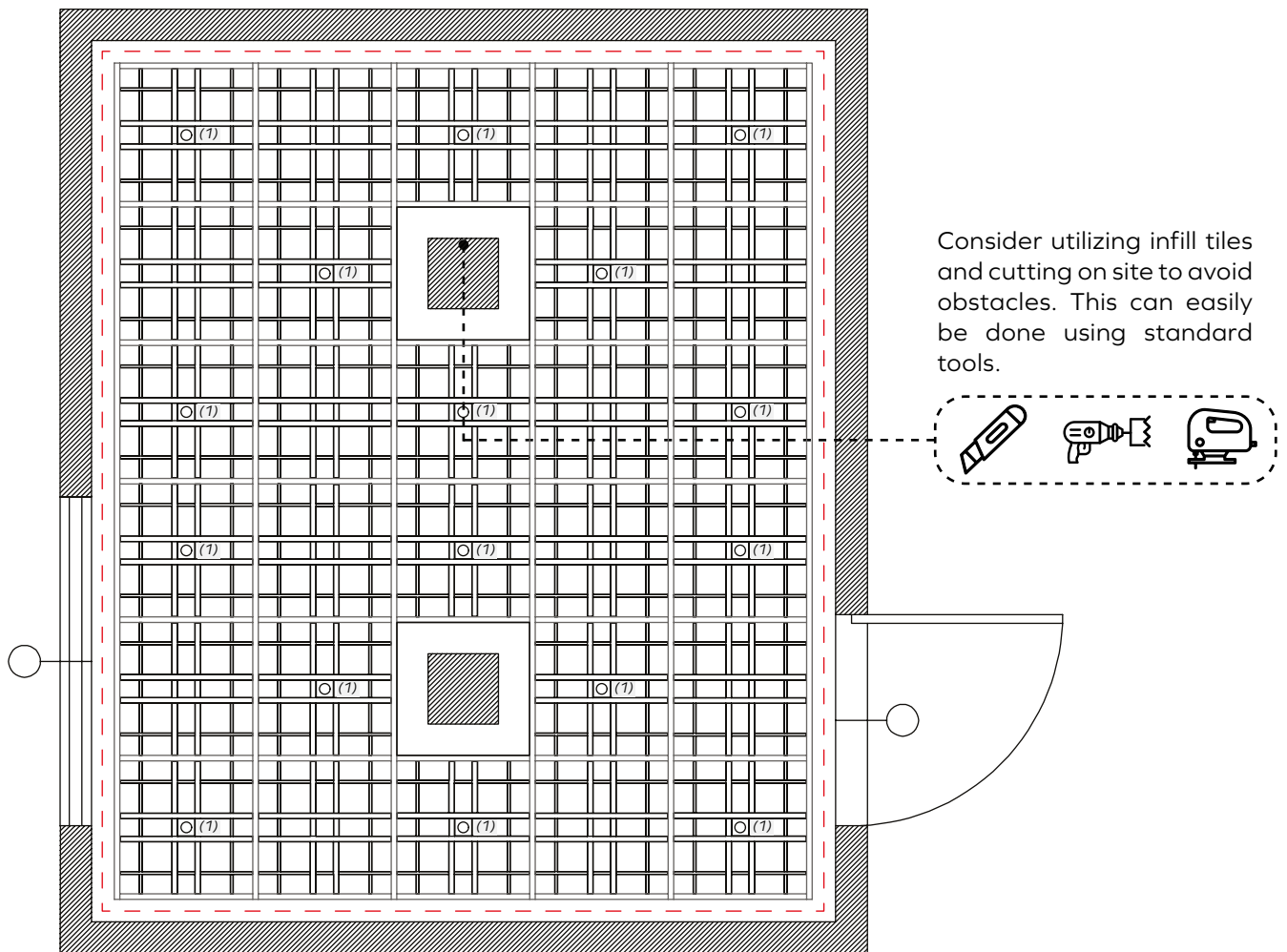
### 2 Lighting

Plan for proper light conditions in the space. You can easily implement our optional LED Cube light (1) solution in selected tiles. We recommend performing a light analysis for your space in order to specify the right quantity and location of spot light elements. See more on page 18 and 19.

### 3 Additional considerations

Consider access to high windows and doors.

Verify the type of material to which the support elements will be mounted.



RCP drawing example

# Plaid Ceiling Tiles

## CUBE Light Specifications

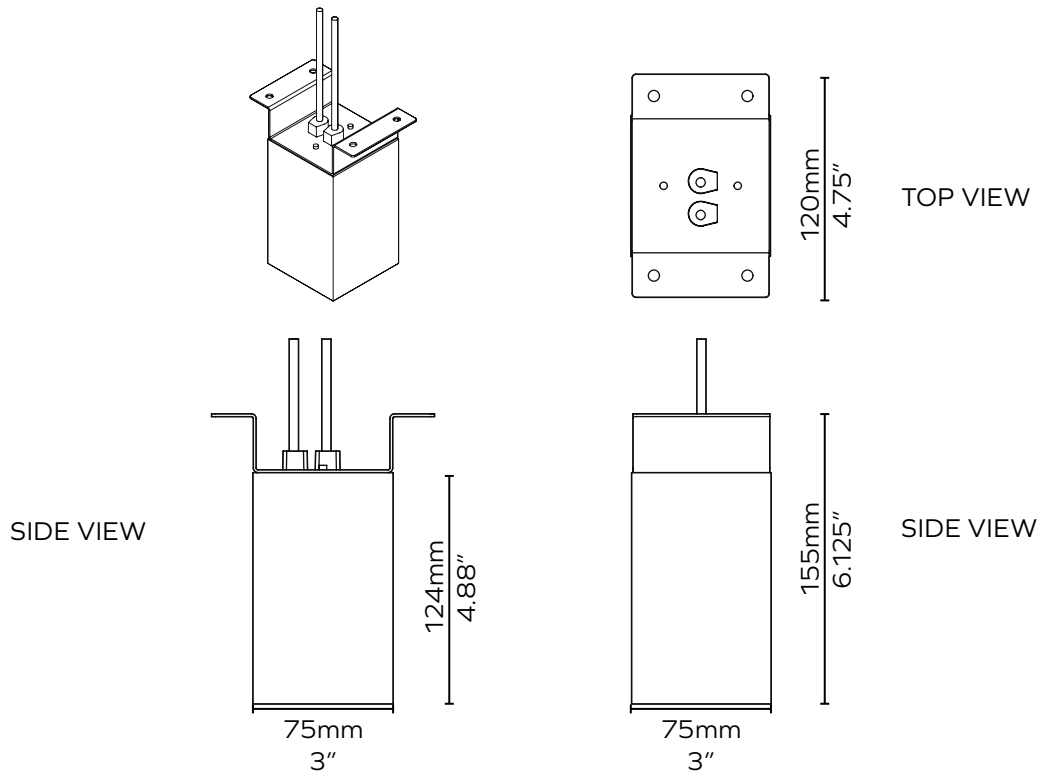
### CUBE Light Article Numbers and Descriptions:

718.00.10.000.40: CUBE Primary - 4000K (DALI)

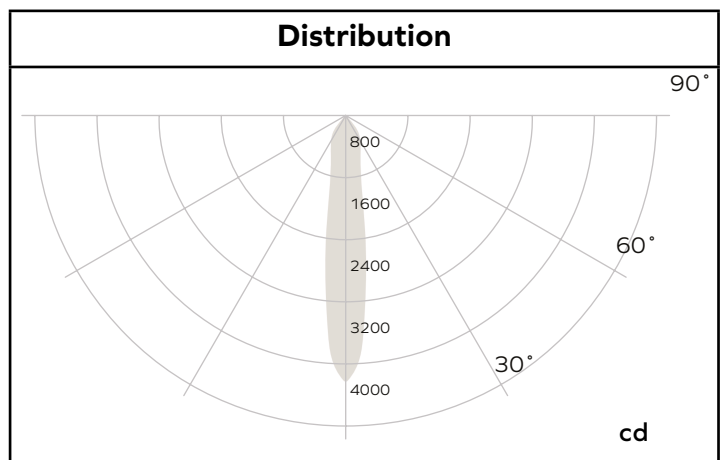
718.00.10.000.40: CUBE Secondary - 4000K (DALI)

718.00.12.000.40: CUBE Primary - 4000K (1-10V UL Version)

718.00.13.000.40: CUBE Secondary - 4000K (1-10V UL Version)



| Type       | CUBE LIGHT |
|------------|------------|
| Power      | 10W        |
| CCT        | 4000K      |
| Lumen      | 856        |
| (Lm/W)     | 85         |
| CRI        | >90        |
| Beam Angle | 18°        |
| Dimming    | DALI       |



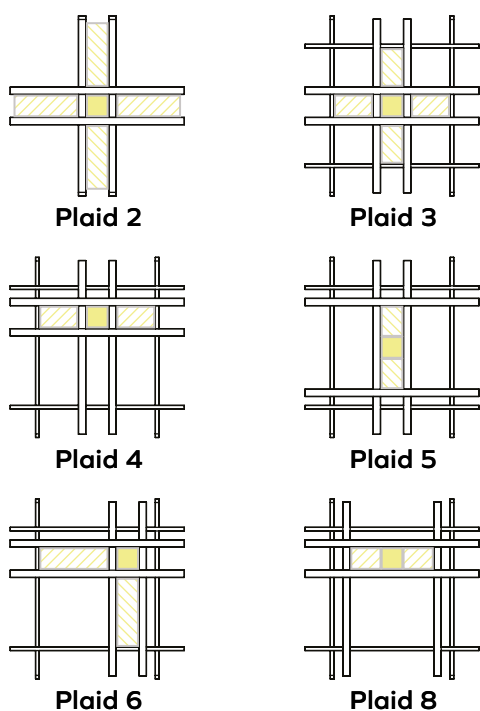
# Plaid Ceiling Tiles

## Suggested Lighting Applications

The CUBE Light from Prolight offers a seamless way to integrate lighting into your Plaid Ceiling project, with flexible placement and easy installation. The lighting module is compatible with Plaid 2 thru 6 and Plaid 8.

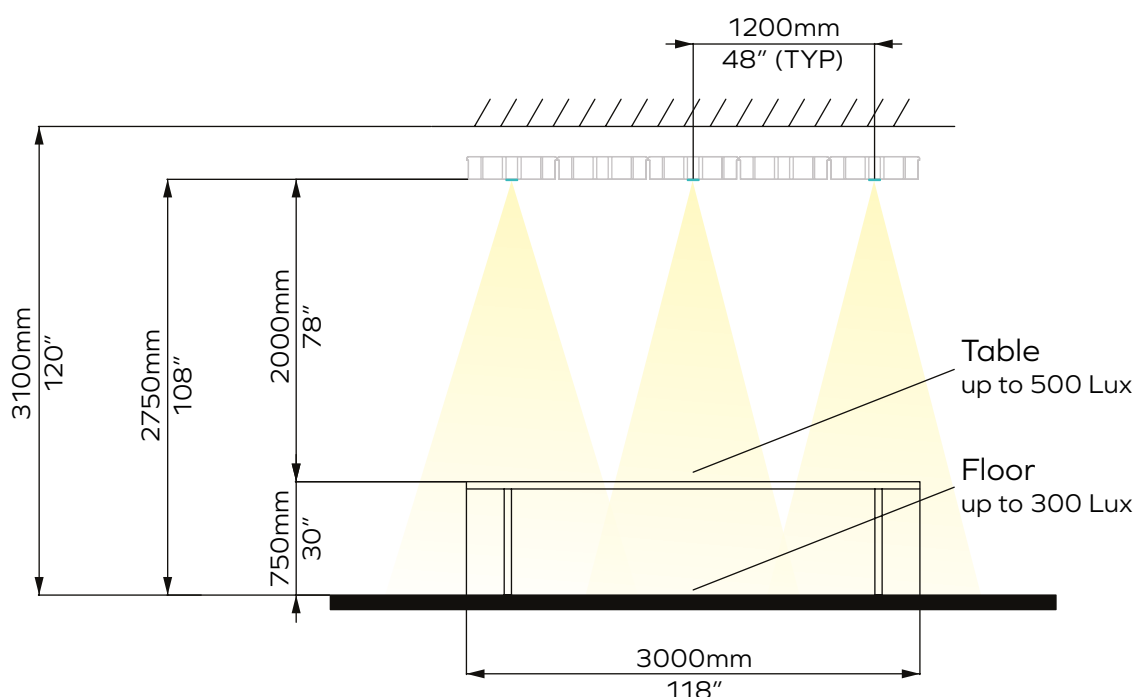
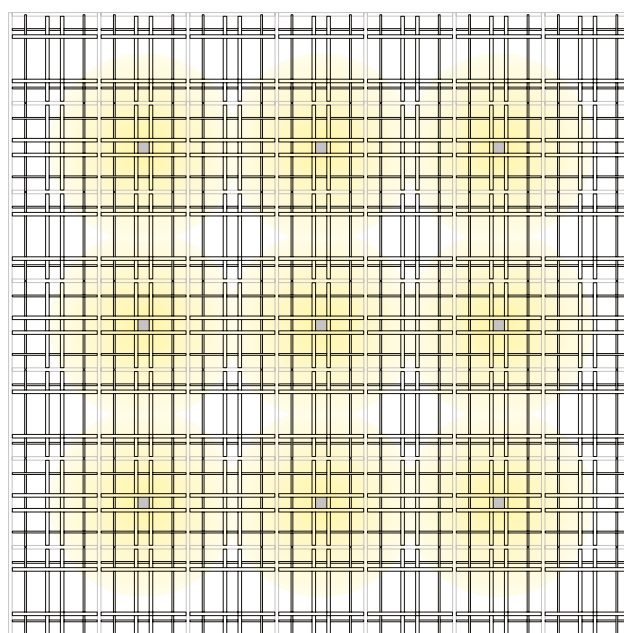
 = Recommended Lighting Placement

 = Possible Lighting Placement



### Example Lighting Layout

9 CUBE Lights at 1.2m on center in an approximately 4.2m x 4.2m space



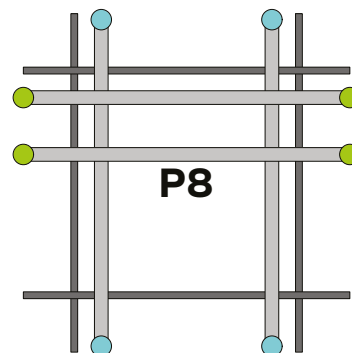
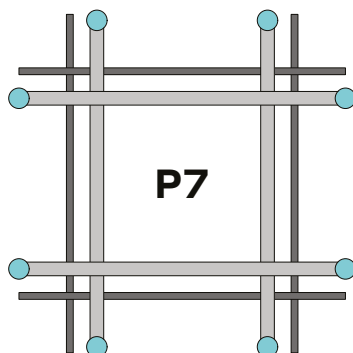
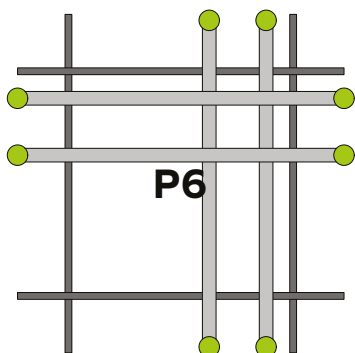
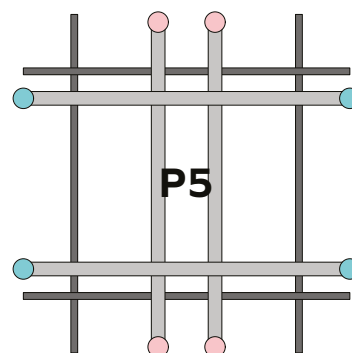
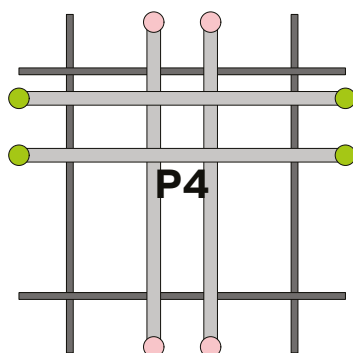
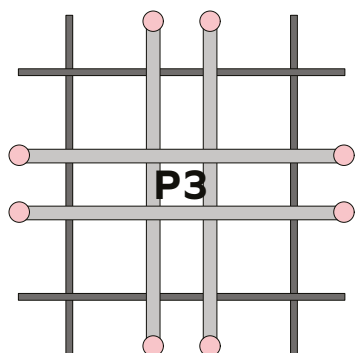
# Plaid Ceiling Tiles

## Layout Design

### Layout and Pattern Variations

A multitude of patterns can be generated from the 8 Plaid ceiling tile modules. The combination of multiple tiles, colors and rotations makes for a plethora of creative possibilities. Use a single type of tile to create a classic look. For a more intricate layout, combine multiple modules. Use one of the recommended layouts on the following pages for your project or as inspiration to design your own original layout. To create a unique layout follow the guide below:

### Layout Creation Guide



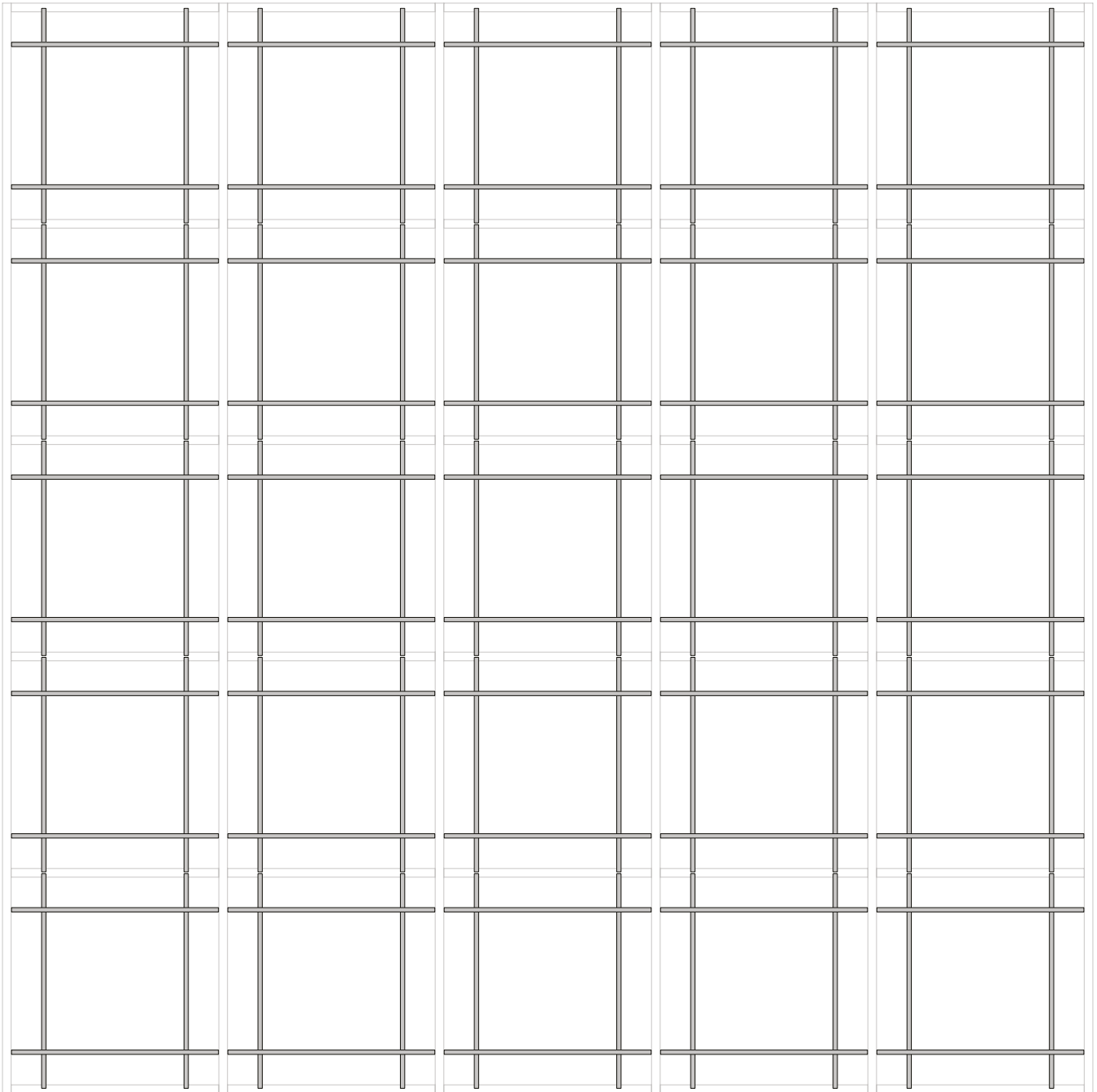
Match like color dots to create a pattern with continuous lines. Sketch your pattern in the grid on the next page or download BIM files from the Impact Acoustic website.

# Plaid Ceiling Tiles

## Layout Design

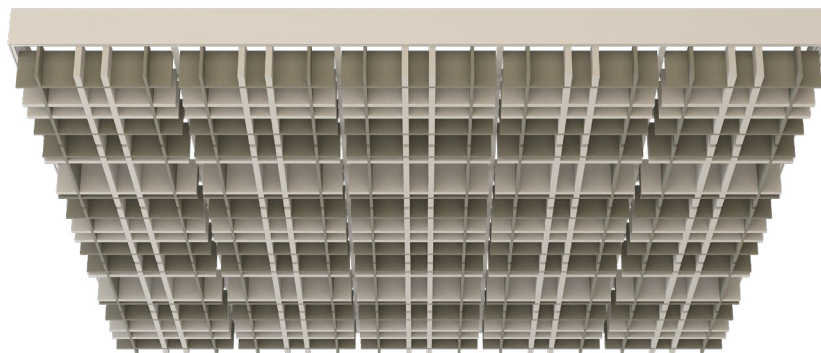
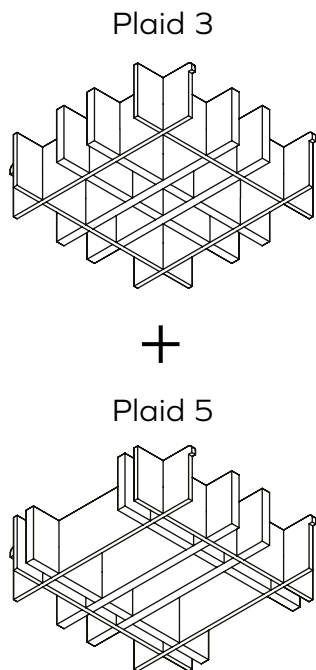
### Grid Template

Use the grid template below for sketching Plaid layouts:

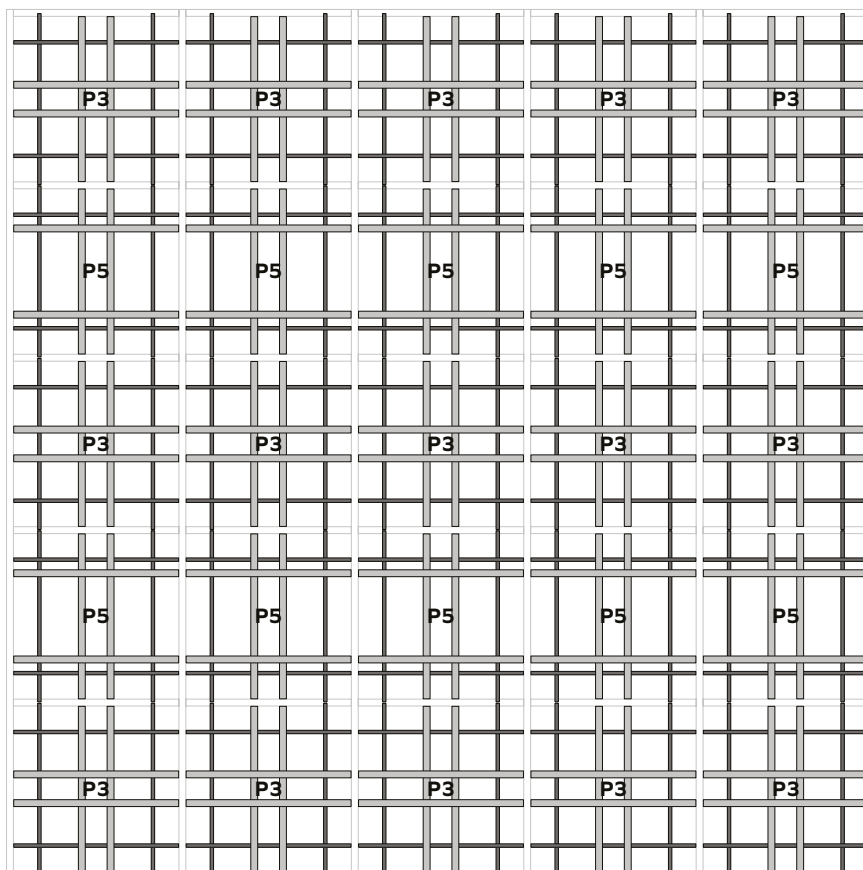


# Plaid Ceiling Tiles

## Recommended Layout



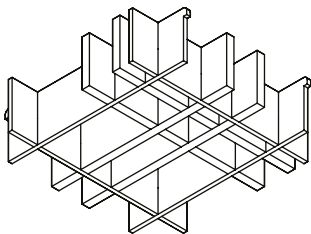
Layout



# Plaid Ceiling Tiles

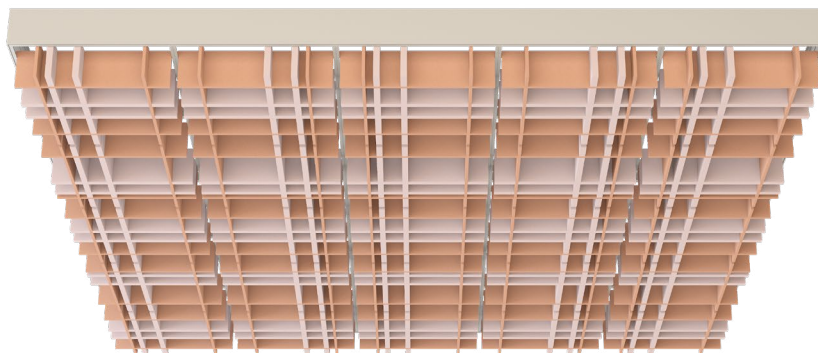
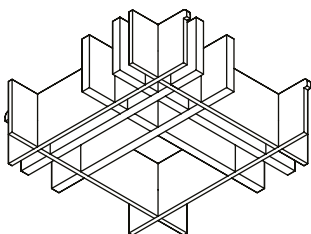
## Recommended Layout

Plaid 4

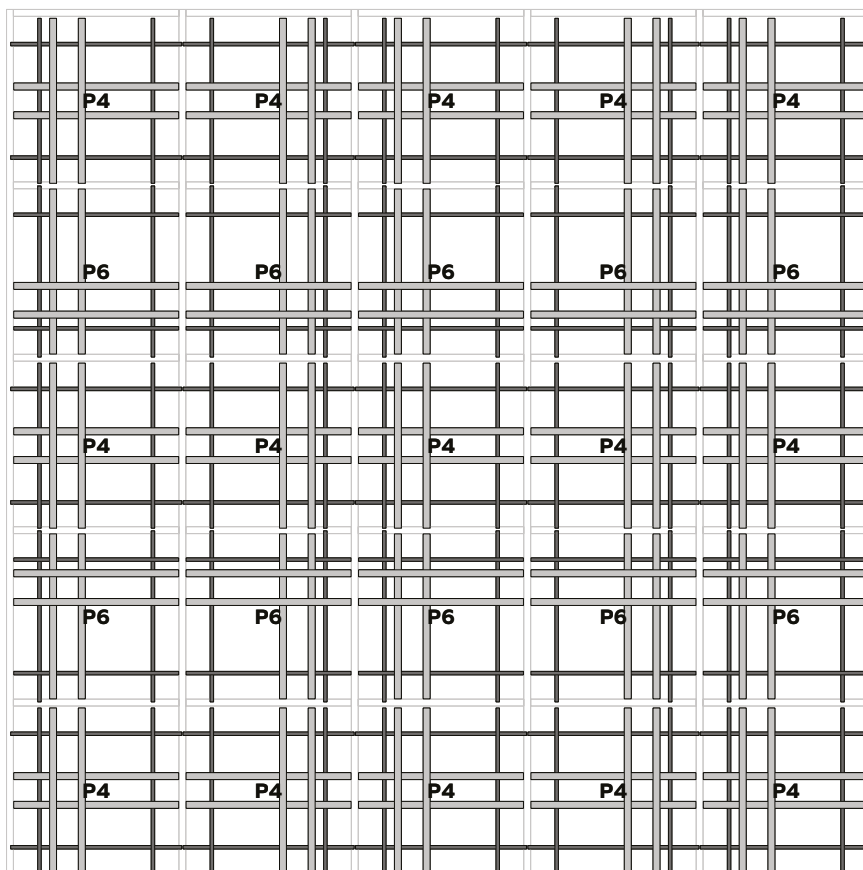


+

Plaid 6

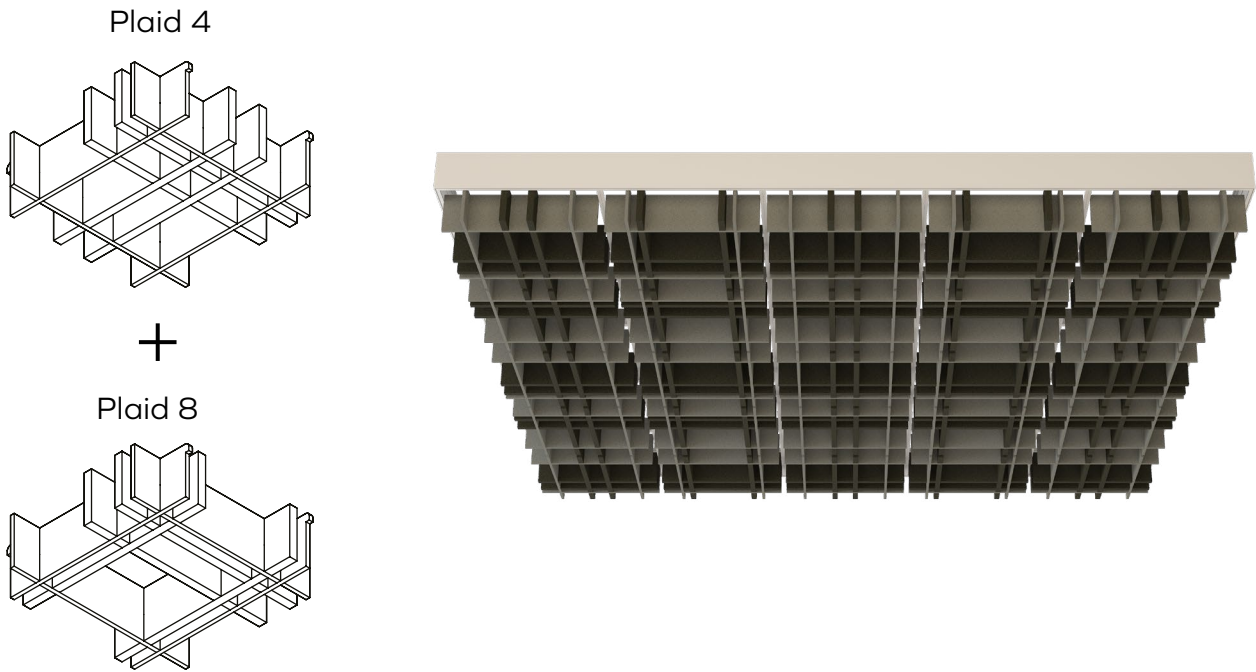


Layout

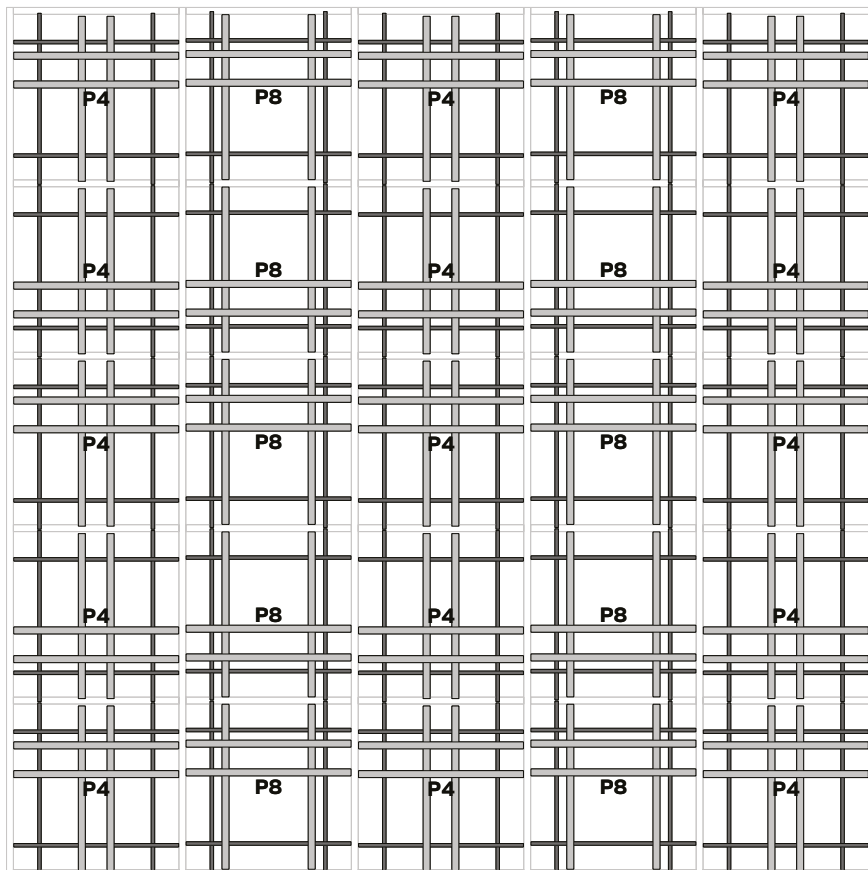


# Plaid Ceiling Tiles

## Recommended Layout

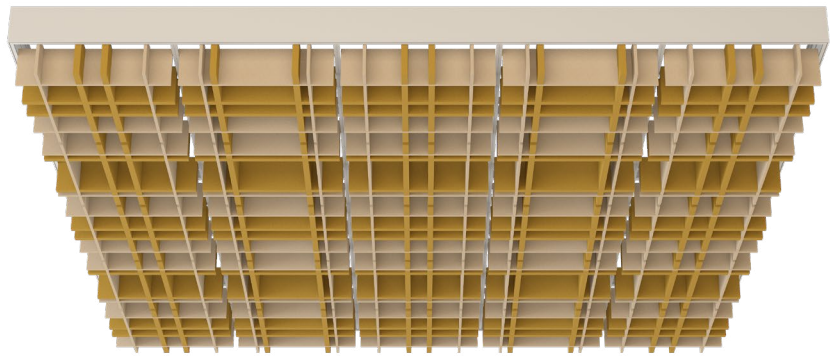
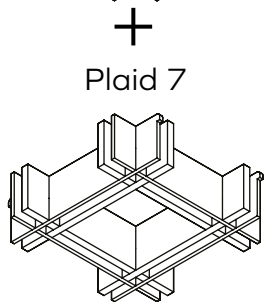
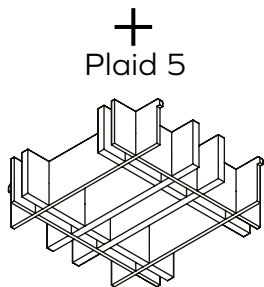
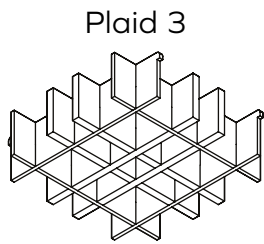


Layout

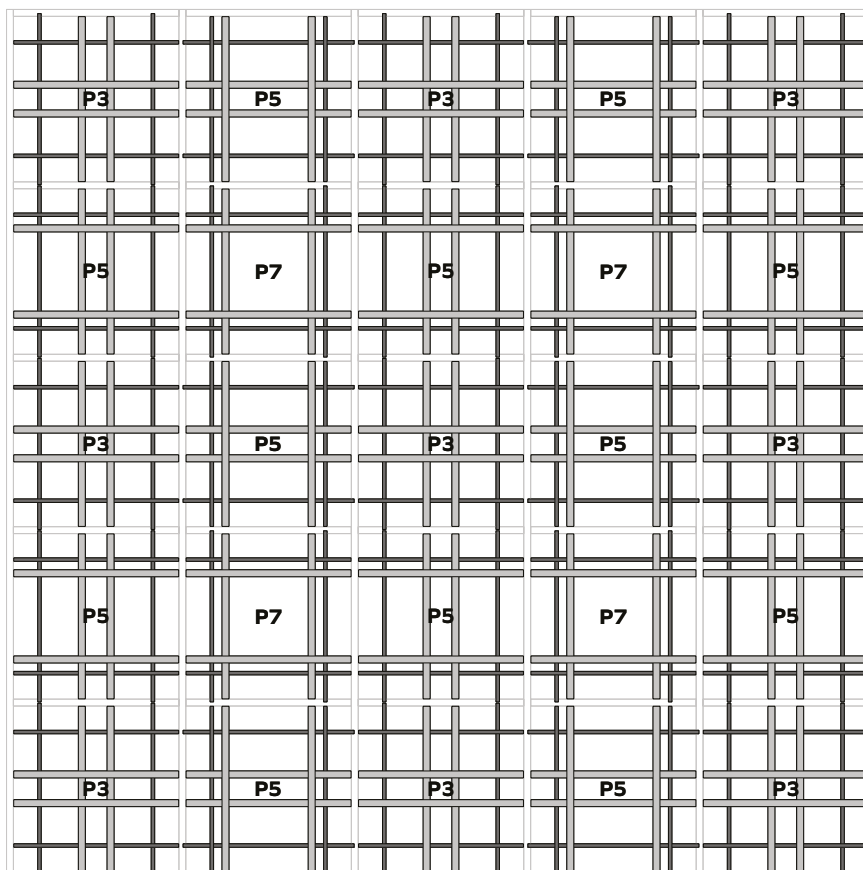


# Plaid Ceiling Tiles

## Recommended Layout

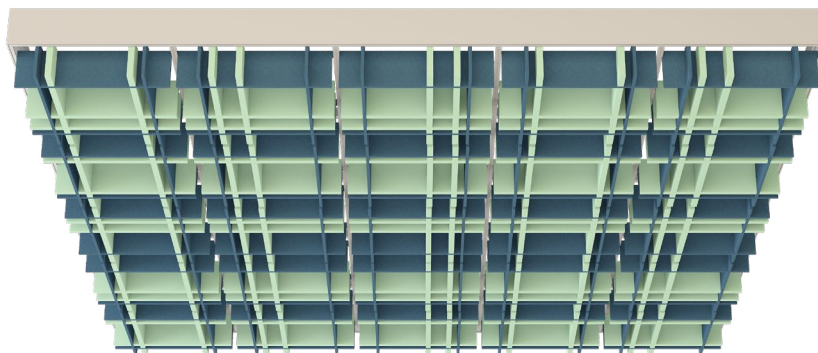
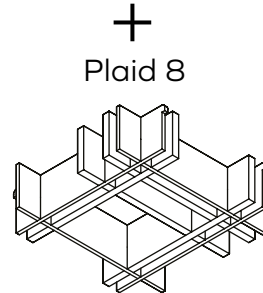
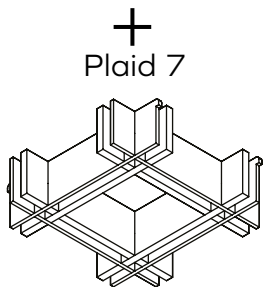
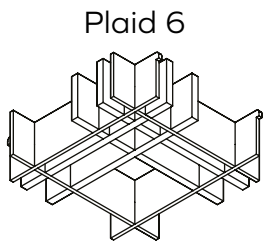


Layout

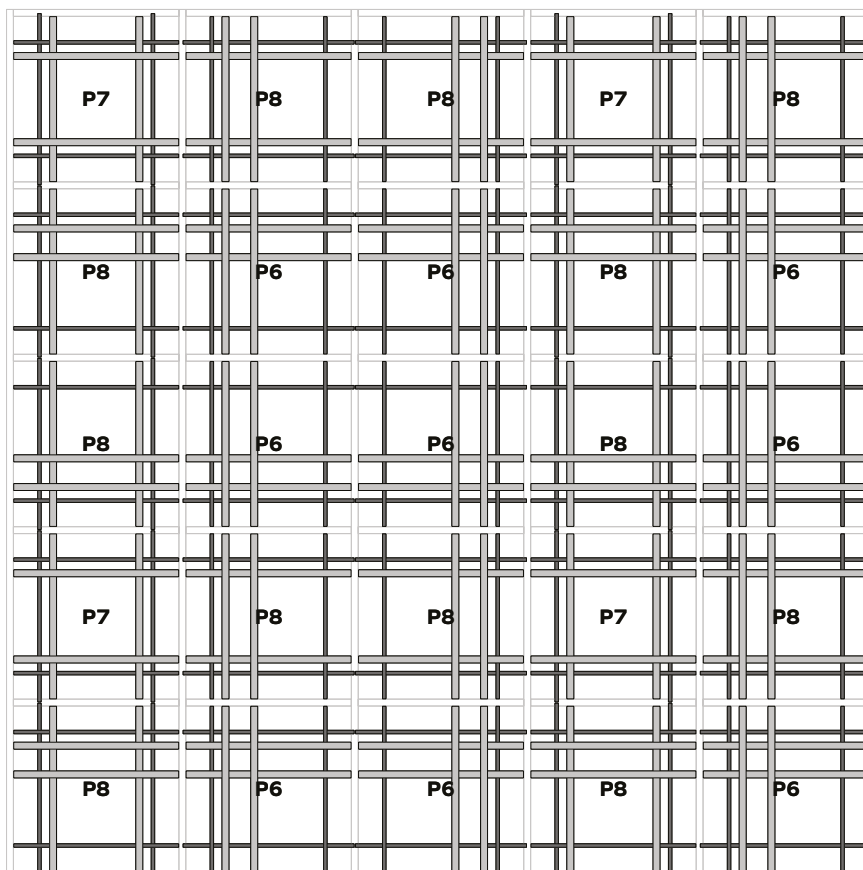


# Plaid Ceiling Tiles

## Recommended Layout







Layout












# ARCHISONIC® Felt Colors

 Material brochure available

|   |   |   |   |   |  |   |   |   |          |
|---|---|---|---|---|--|---|---|---|----------|
|  |  |  |  |  |  |  |  |  |          |
| <b>Name</b>   | Snow White  | Milk  | Cloud   | Gull  | Smoke  | Ground  | Charcoal  | Slate   | Raven    |
| <b>Code</b>   | 500   | 404   | 103   | 144   | 442  | 108   | 542   | 444   | 550      |
| <b>NCS</b>  | S 0300-N  | S 0502-Y  | S 1002-B  | S 2502-Y  | S 3005-R80B  | S 5005-Y20R   | S 7502-B  | S 4500-N  | S 8500-N |

|   |   |   |   |   |  |   |   |   |           |
|---|---|---|---|---|--|---|---|---|-----------|
|  |  |  |  |  |  |  |  |  |           |
| <b>Name</b>   | Nordic Pine   | Grove   | Fern  | Moss  | Spearmint  | Ice Blue  | Succulent   | Deep Sea  | True Navy |
| <b>Code</b>   | 311   | 317   | 180   | 439   | 706  | 304   | 712   | 918   | 194       |
| <b>NCS</b>  | S 5030-G10Y   | S 7020-G30Y   | S 6010-G90Y   | S 2040-G40Y   | S 1010-B90G  | S 0510-B  | S 3020-B30G   | S 5020-R90B   | S 8005-B  |

|   |   |   |   |   |  |   |   |   |             |
|---|---|---|---|---|--|---|---|---|-------------|
|  |  |  |  |  |  |  |  |  |             |
| <b>Name</b>   | Lichen  | Linen   | Shell Pink  | Jute  | Warm Stone   | Terracotta  | Soft Coral  | Honeycomb   | Sunshine    |
| <b>Code</b>   | 160   | 107   | 102   | 920   | 105  | 239   | 516   | 139   | 846         |
| <b>NCS</b>  | S 4005-Y  | S 1505-Y30R   | S 0510-R30B   | S 3010-Y30R   | S 3010-Y50R  | S 4040-Y70R   | S 2020-Y90R   | S 2050-Y20R   | S 1040-Y10R |

|   |   |   |   |   |  |   |   |   |             |
|---|---|---|---|---|--|---|---|---|-------------|
|  |  |  |  |  |  |  |  |  |             |
| <b>Name</b>   | Garnet  | Hot Pink  | Poster Red  | Electric Orange   | Winter Sky   | Pacific Ocean   | Midnight  | Grape   | Marine Blue |
| <b>Code</b>   | 724   | 140   | 662   | 464   | 410  | 432   | 810   | 540   | 864         |
| <b>NCS</b>  | S 5040-R10B   | S 2060-R20B   | S 1080-R  | S 0580-Y70R   | S 2020-R90 B   | S 3040-B  | S 7020-R70B   | S 5040-R40B   | S 4050-R70B |

These NCS codes are the closest visual match available and may not be exact to blended fibres.

**ARCHISONIC®**

## Colors

Experience our ARCHISONIC® Felt material with a stunning selection of 36 colors across 8 distinct families, thoughtfully curated by *Colour Hive* in London. Effortlessly combine colors harmoniously to suit your preferences. Discover more in our Materials brochure and order your free sample box today.

## Color fastness

Class 6

ISO 105-B02:A1

## Order a free sample box



# ARCHISONIC® Felt

## Material Specification

|   |   |  |
|---|---|--|
| <b>Product Name</b>                     | Archisonic® Felt  |  |
| <b>Content</b>                          | 100% PET (60% certified post-consumer content)  |  |
| <b>Thickness<sup>1</sup></b>            | 12mm (0.47")  | 24mm (0.94")                             |
| <b>Max. Size</b>                        | 1200x2800mm (47"x110")  | 1800x2400mm (70"x94")                    |
| <b>Acoustic<sup>2</sup></b>             | <b>ASTM:</b> NRC=0.6 <b>ISO:</b> αw=0.65  | <b>ASTM:</b> NRC=0.9 <b>ISO:</b> αw=0.95 |
| <b>Density<sup>1</sup></b>              | 2400 g/m <sup>2</sup> (0.49 lbs/ sqft)  | 4000 g/m <sup>2</sup> (0.82 lbs/sqft)    |
| <b>Color Fastness</b>                   | <b>Class 6</b> ISO 105-B02:A1   |  |
| <b>Color</b>                            | <b>36 colors</b> (see Archisonic® Felt Color page for more information)   |  |
| <b>Maintenance</b>                      | For daily cleaning we recommend alcohol solution (75%), e.g. Pantasept. In case of contamination by dust or fluff, use feather duster or a regular vacuum cleaner. For heavy dirt, treat the material with hydrogen peroxide. |  |
| <b>Production Lead time<sup>3</sup></b> | 21 days   |  |
| <b>Fire Rating</b>                      | DIN EN 13501-1: <b>B-s1, d0</b>   | ASTM E84 <b>Class A</b>                  |
| <b>VOC Emission</b>                     | 28 Days French Regulation <b>A+</b> ASTM E84 <b>Pass</b><br>Bream® (International, UK, NL, SE, NOR) <b>Exemplary</b><br>CDPH (CDPH/EHLB/Standard Method V1.2) <b>Pass</b>   |  |
| <b>Certifications</b>                   | Declare label, Cradle to Cradle, UL Environmental Product Declaration, Member of US Green Building Council, Ecobau 1st Priority, Climmate-KIC, VOC emissions in LEED EQ credit (low-emitting products), SCS Recycled Content  |  |
| <b>Durability</b>                       | Contract  |  |

1 - all values are nominal 2 - measured with 300mm air cavity 3 - depending on the location and type of product



Climate-KIC is supported by the EIT, a body of the European Union



**Declare.**



# Plaid Ceiling Tiles

## Acoustic Performance



### Testing Standards

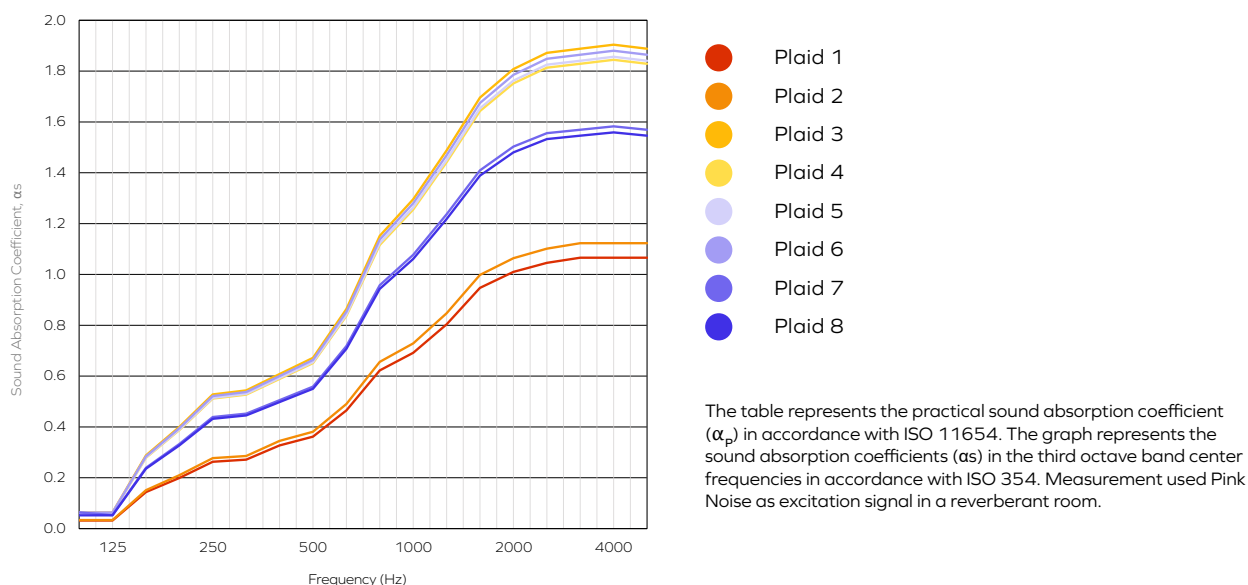
|                |  |
|----------------|--|
| ISO 354:2003   | Acoustics — Measurement of sound absorption in a reverberation room  |
| ISO 11654:1997 | Acoustics — Sound absorbers for use in buildings — Rating of sound absorption                                |
| ASTM C423-17   | Standard Test Method for Sound Absorption and Sound Absorption Coefficients by the Reverberation Room Method |
| ASTM E795-16   | Standard Practices for Mounting Test Specimens During Sound Absorption Tests                                 |

The acoustic performance of the Plaid ceiling system has been calculated based on test reports from the Archisonic product range, which features an identical layout. It is important to note that the absorption data provided is provisional and may be revised once the actual testing results are obtained.

### Acoustic Performance

| Frequency (Hz) |            | 125 | 250 | 500 | 1000 | 2000 | 4000 | $\alpha_w$ | SAA  | NRC  |
|----------------|------------|-----|-----|-----|------|------|------|------------|------|------|
| Plaid 1        | $\alpha_p$ | 0.1 | 0.3 | 0.4 | 0.7  | 1.0  | 1.0  | 0.45 (MH)  | 0.58 | 0.60 |
| Plaid 2        | $\alpha_p$ | 0.1 | 0.3 | 0.4 | 0.8  | 1.0  | 1.0  | 0.45 (MH)  | 0.62 | 0.60 |
| Plaid 3        | $\alpha_p$ | 0.2 | 0.5 | 0.7 | 1.0  | 1.0  | 1.0  | 0.75 (MH)  | 1.00 | 1.00 |
| Plaid 4        | $\alpha_p$ | 0.2 | 0.5 | 0.7 | 1.0  | 1.0  | 1.0  | 0.75 (MH)  | 1.00 | 1.00 |
| Plaid 5        | $\alpha_p$ | 0.2 | 0.5 | 0.7 | 1.0  | 1.0  | 1.0  | 0.75 (MH)  | 1.00 | 1.00 |
| Plaid 6        | $\alpha_p$ | 0.2 | 0.5 | 0.7 | 1.0  | 1.0  | 1.0  | 0.75 (MH)  | 1.00 | 1.00 |
| Plaid 7        | $\alpha_p$ | 0.1 | 0.4 | 0.6 | 1.0  | 1.0  | 1.0  | 0.65 (MH)  | 0.90 | 0.90 |
| Plaid 8        | $\alpha_p$ | 0.1 | 0.4 | 0.6 | 1.0  | 1.0  | 1.0  | 0.65 (MH)  | 0.88 | 0.90 |

The NRC rating is calculated as the average of the absorption coefficients measured at frequencies of 250Hz, 500Hz, 1000Hz and 2000Hz and round to the nearest 0.05. SAA rating is calculated as the average of the sound absorption coefficients of a material for the twelve one-third octave bands from 200Hz through 2500Hz and rounded off to the nearest 0.01.



# Plaid Ceiling Tiles

## Additional Information

### Online Resources

A variety of resources are available online for all of our products. Please visit the product's page for more information.



CAD files



Spec sheets and  
Installation Guide



Color families



Instruction  
videos



Associated  
products specs.

### Ordering Process

Our experienced team of Project Consultants will guide and support you throughout the order process. We fulfill the majority of our orders in as little as 21 days<sup>1</sup> from your first point of contact, allowing you to focus on what truly matters to you.



Contact our  
consultant

Quote<sup>1</sup>

48h



Order Confirmation

Production<sup>1</sup>

14-21 days



Dispatch

Transit

location based



Delivery

### Contact Us

Ready to make an impact? We are just an email or call away to discuss your project and answer any question.



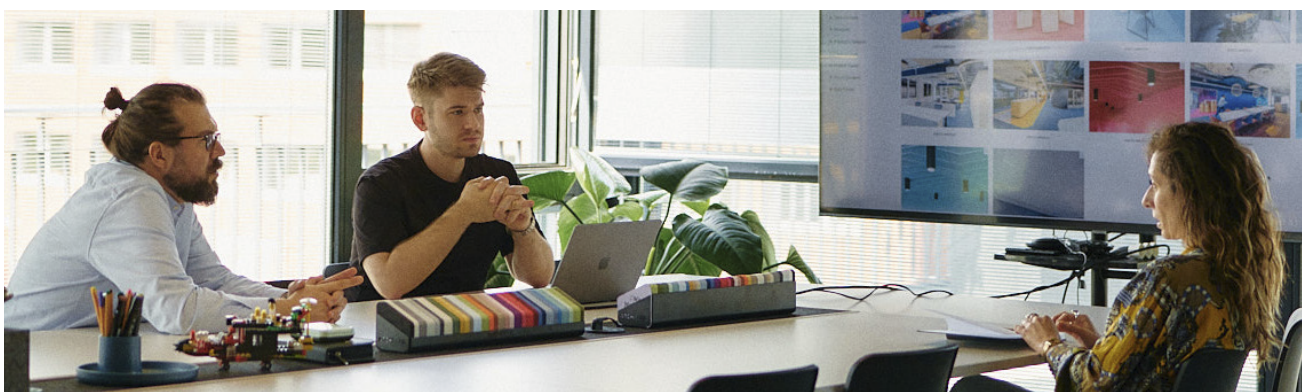
+41 41 244 14 00



connect@impactacoustic.com



Online form



<sup>1</sup> - Quote and Production times may vary.

**IMPACT ACOUSTIC®**  
Plaid Ceiling Tile rev.01 - 28.03.25

(Switzerland)  
(USA)  
(Philippines)

connect@impactacoustic.com  
usa@impactacoustic.com  
philippines@impactacoustic.com

(+41) 41 244 14 00  
(+1) 646 918 1581  
(+63) 285 80 02 50

#WeMakeAnImpact

**#We  
Make An  
Impact**

[connect@impactacoustic.com](mailto:connect@impactacoustic.com) | [www.impactacoustic.com](http://www.impactacoustic.com)